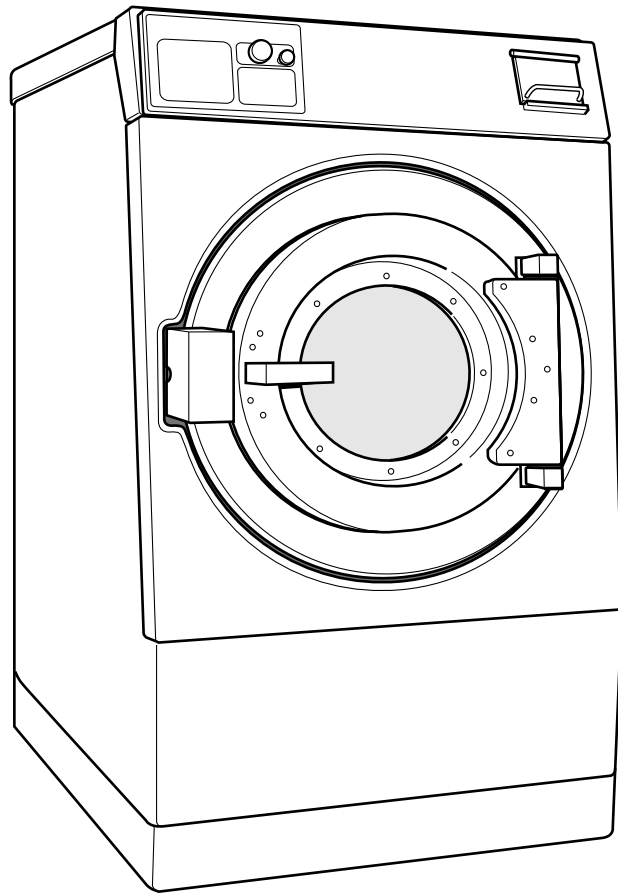


Washer-Extractor

Variable-Speed PS40 Control

Refer to Page 3 for Model Numbers



PHM1397C_C002873

Table of Contents

Title	Page
Parts Ordering Information.....	2
Nameplate Location	2
Model Identification	3
Product Overview - PS40 Control	4
Decals - Models through 8/31/09 (Drawing 1 of 2)	6
Decals - Models through 8/31/09 (Drawing 2 of 2)	8
Decals - Models starting 9/1/09	10
Bearing Housing Assembly	12
Cabinet Assembly	14
Cylinder Assembly	16
Single Cup Side Dispenser	18
5 Cup Side Dispenser	20
Door Assembly.....	22
Door Lock Assembly	24
Door Lock Assembly with Magnetic Sensor.....	26
Hot and Auxiliary with Valve Plumbing Assembly	28
Cold 1 Cup Water Plumbing Assembly	30
Cold 5 Cup Water Plumbing Assembly	32
Auxiliary Fill without Valve Plumbing Assembly	34
Steam Heat Assembly	36
Shell Assembly	38
Control Box	40
Drive Box Assembly.....	42
Main Assembly (Drawing 1 of 2)	44
Main Assembly (Drawing 2 of 2)	46
Parts Index.....	49

© Copyright 2013, Alliance Laundry Systems LLC

All rights reserved. No part of the contents of this book may be reproduced or transmitted in any form or by any means without the expressed written consent of the publisher.

Parts Ordering Information

If literature or replacement parts are required, contact the source from whom the machine was purchased or contact Alliance Laundry Systems at (920) 748-3950 for the name and address of the nearest authorized parts distributor.

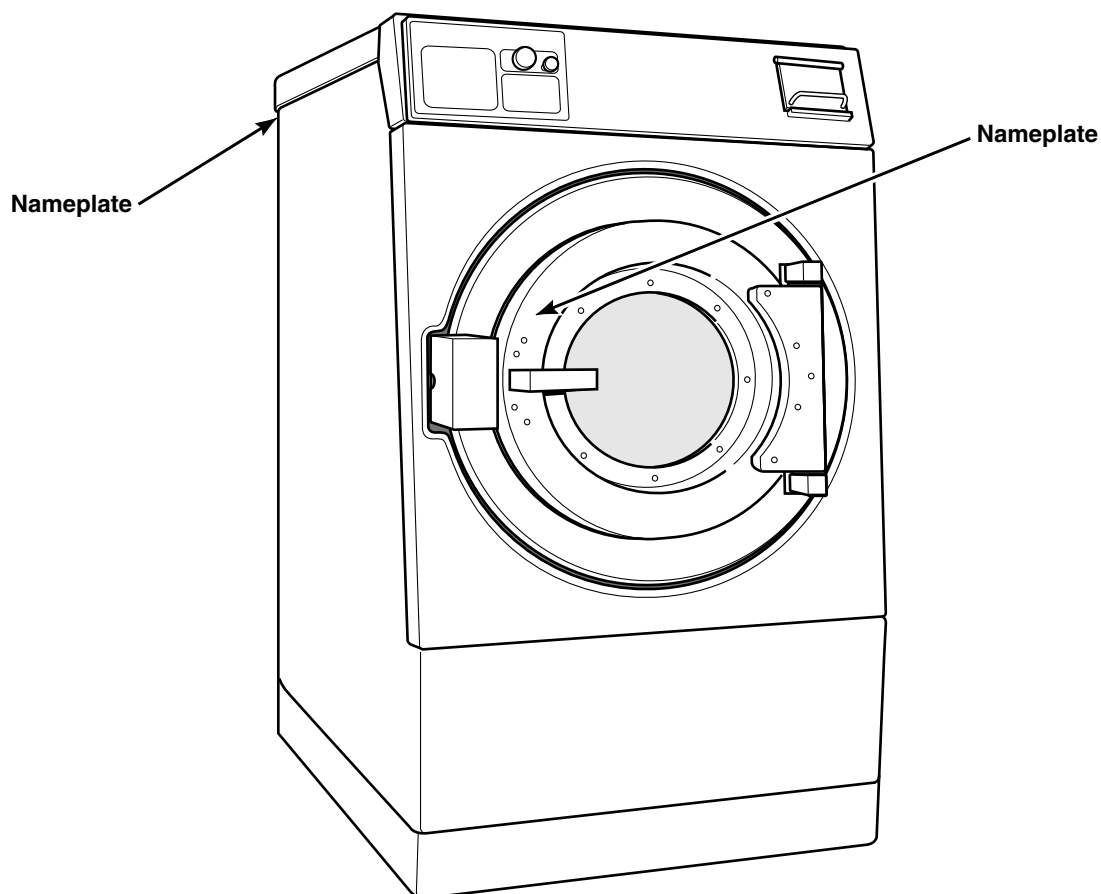
For technical assistance, call either of the numbers listed below:

(920) 748-3121 Ripon, Wisconsin

+32 56 41 20 54 Wevelgem, Belgium

Nameplate Location

When calling or writing about your product, be sure to mention model and serial numbers. Model and serial numbers are located on nameplate(s) as shown. The nameplate is located inside the door and on the upper rear panel.



PHM1397CA_C002873

Model Identification

Information in this manual is applicable to these washer-extractor models:

CP175PHN1

CPC175H

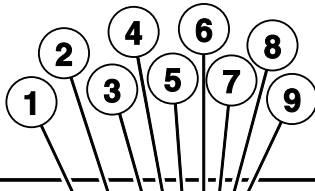
IP175PHN1

IPH175H


IPH790

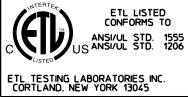
JP175PHN1

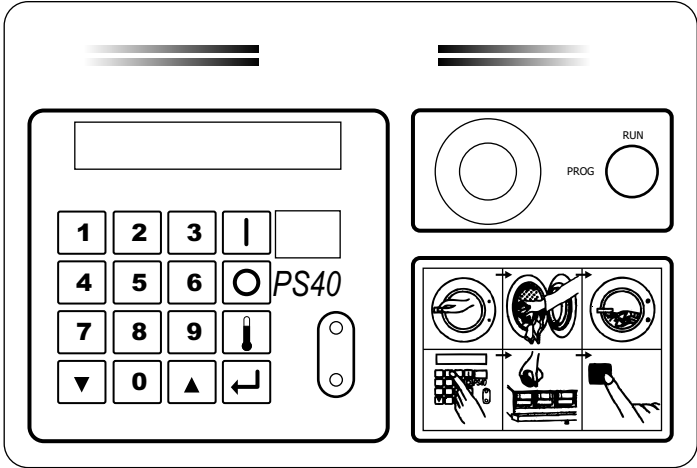
Product Overview - PS40 Control



Model No. *P040PHQ1001U01
 Serial No. 00000000000
 Voltage 208 – 240 Hz 60 Phase 3
 Number of wires : 3 FLA: amps
 Circuit Breaker Size : 3 amps
 Max. Load: 40 LB 18.2 KG
 Schematic:
 Supply Water: 30 - 85 psi, 2 - 5.7 BAR





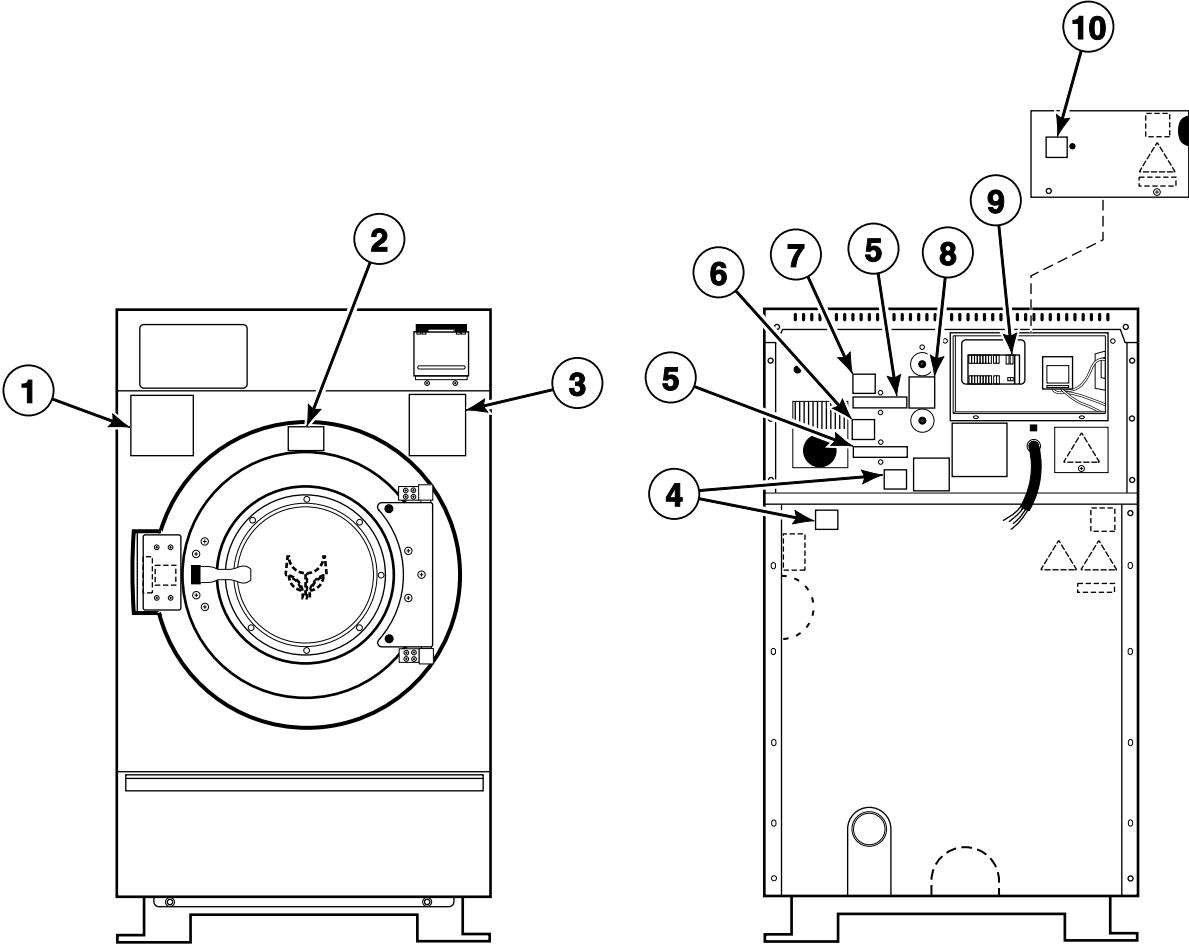


PHM3091P_C002873

Product Overview - PS40 Control

REF	PART NO.	DESCRIPTION	COMMENTS
1		Product Family	CP IP JP
2		Capacity (Pounds)	040 060 080 100 125 140 175
3		Control	P (PS-40 Control)
4		Speed	H (High Speed) M (Medium Speed)
5		Voltage	N (380-415/440-480/50/60/3) Q (208-220/220-240/50/60/3) X (208-220/220-240/50/60/1/3)
6		Design	1 2
7		Heat	0 (Prep for Steam) D (Direct) E (Electric)
8		Plumbing	0 (Standard US Thread - 2 valves) A (US Thread - 3 valves) B (Metric Thread - 2 valves) C (Metric Thread - 3 valves) D (US Thread - 2 valves, 3 inlets) E (No valves)
9		Supply	1 (1 Compartment 6 Signals) 2 (1 Compartment 12 Signals) 5 (5 Compartments 6 Signals) 6 (5 Compartments 12 Signals) 7 (No Compartment 6 Signals) 8 (No Compartment 12 Signals)

Decals - Models through 8/31/09 (Drawing 1 of 2)

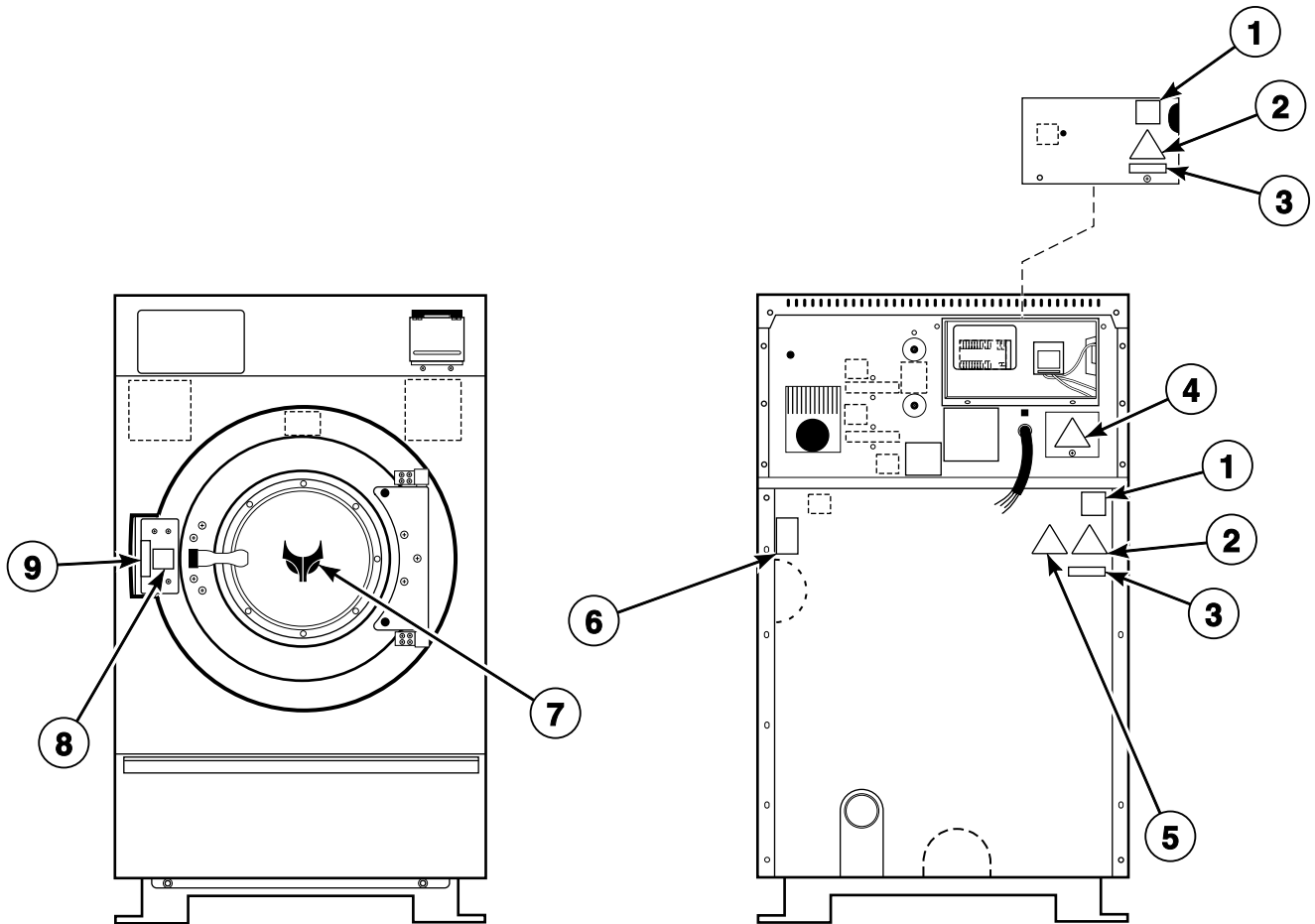


PHM2767P_C002873

Decals - Models through 8/31/09 (Drawing 1 of 2)

REF	PART NO.	DESCRIPTION	COMMENTS
1	F200085100	Spin Warning Decal	Models CP175PHN1 and IP175PHN1
2	F200085000	Hot Surface Warning Decal	Models CP175PHN1 and IP175PHN1
3	F200085300	Hot Water and Chemical Caution Decal	Models CP175PHN1 and IP175PHN1
4	F200318200	Cover Decal	Models CPC175H, IPH175H and IPH790
5	F230734	Water Line Caution Decal	Models CP175PHN1 and IP175PHN1
6	F231367	Hot Water Valve Decal	
7	F231368	Cold Water Valve Decal	
8	C000508	Bearing Lubrication Decal	
9	C000506	Supply Signal Decal	Models CP175PHN1 and IP175PHN1
10	F230917-1	External Supply Connection Decal	Models CP175PHN1 and IP175PHN1

Decals - Models through 8/31/09 (Drawing 2 of 2)



PHM2767PA_C002873

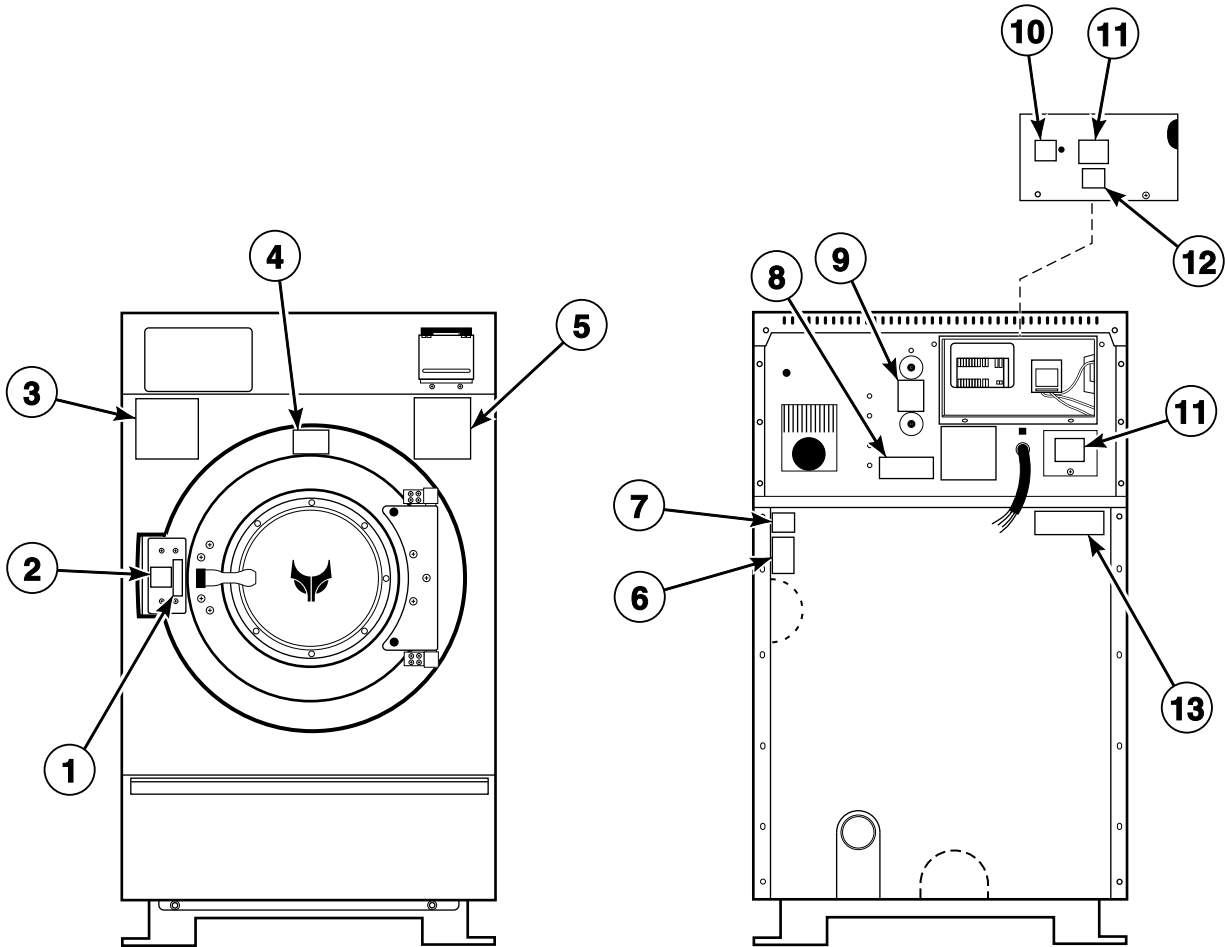
Decals - Models through 8/31/09 (Drawing 2 of 2)

REF	PART NO.	DESCRIPTION	COMMENTS
1	F200318200	Cover Decal	Models CP175PHN1, IP175PHN1 and JP175PHN1
2	502511	Electrical Shock Label	Models CP175PHN1, IP175PHN1 and JP175PHN1
3	500049	Warning Label	Models CP175PHN1, IP175PHN1 and JP175PHN1
4	502511	Electrical Shock Label	
5	N/A	Crush Hazard Warning Decal	Models CPC175H, IPH175H and IPH790
	502506	Pinched Fingers Label	Models CP175PHN1, IP175PHN1 and JP175PHN1
6	F200085000	Hot Surface Warning Decal	Models CPC175H, IPH175H and IPH790
	F231380	Hot Surface Warning Decal	Models CP175PHN1, IP175PHN1 and JP175PHN1
7	C001038	Logo Decal	Models IP175PHN1, IPH175H and IPH790
8	C000694	Door Release Decal	
9	F230303	Push Decal	Models CP175PHN1, IP175PHN1 and JP175PHN1

N/A = Part no longer available

Decals - Models starting 9/1/09

Models CP175PHN1, IP175PHN1 and JP175PHN1

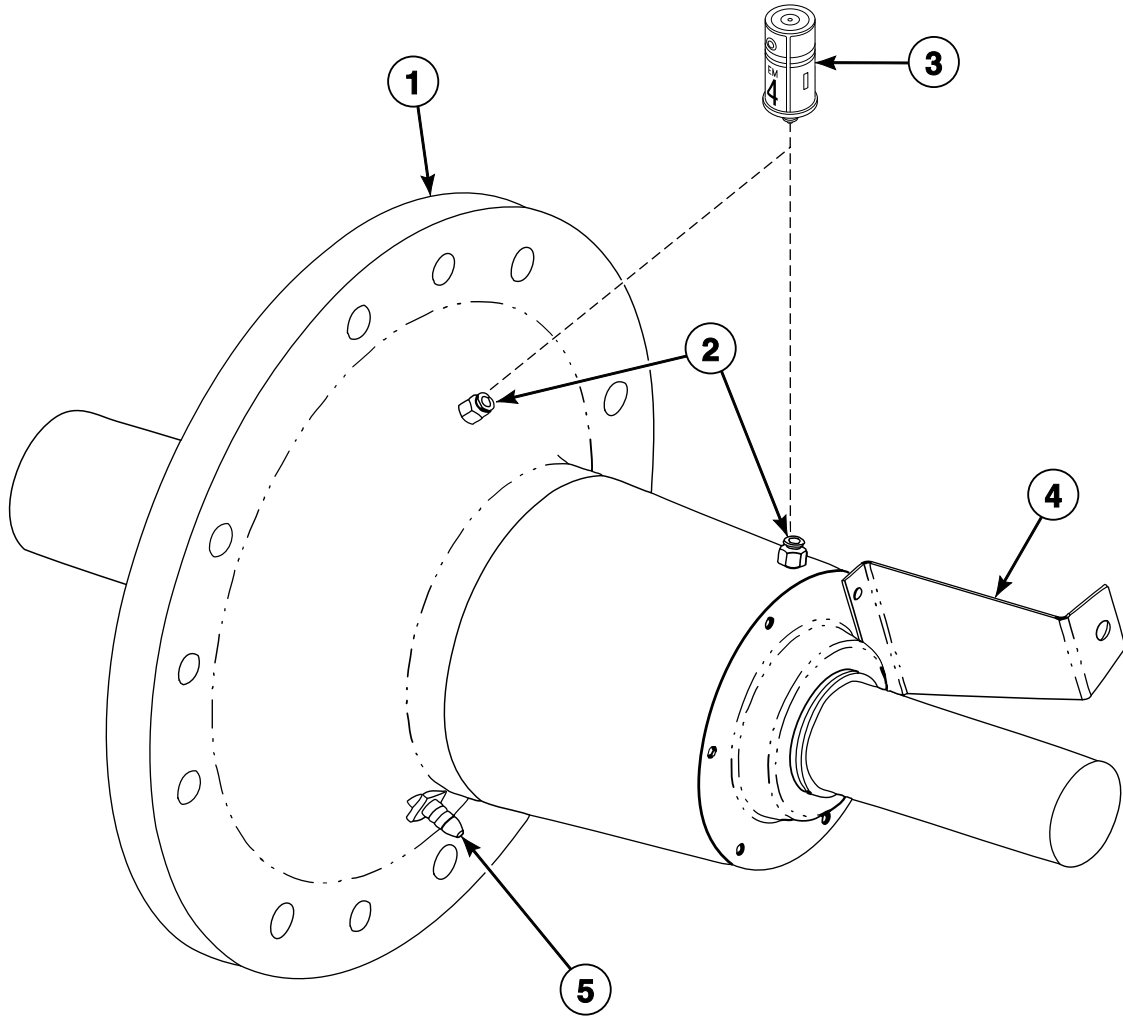


PHM3089P_C002873

Decals - Models starting 9/1/09

REF	PART NO.	DESCRIPTION	COMMENTS
1	C000694	Door Release Decal	
2	F230303	Push Decal	
3	F200085100	Spin Warning Decal	
4	F200085000	Hot Surface Warning Decal	
5	F200085300	Hot Water and Chemical Caution Decal	
6	F8211901	Hot Surface Warning Plate	
7	F8246401	Mount on Concrete Warning Label	
8	F200061000	Clean Filter Daily Decal	
9	C000508	Bearing Lubrication Decal	
10	F8150201	External Supply Connection Decal	
11	F8233501	Warning Label	
12	F8115501	Electric Shock Danger Label	
13	44127701	Warning Label	

Bearing Housing Assembly

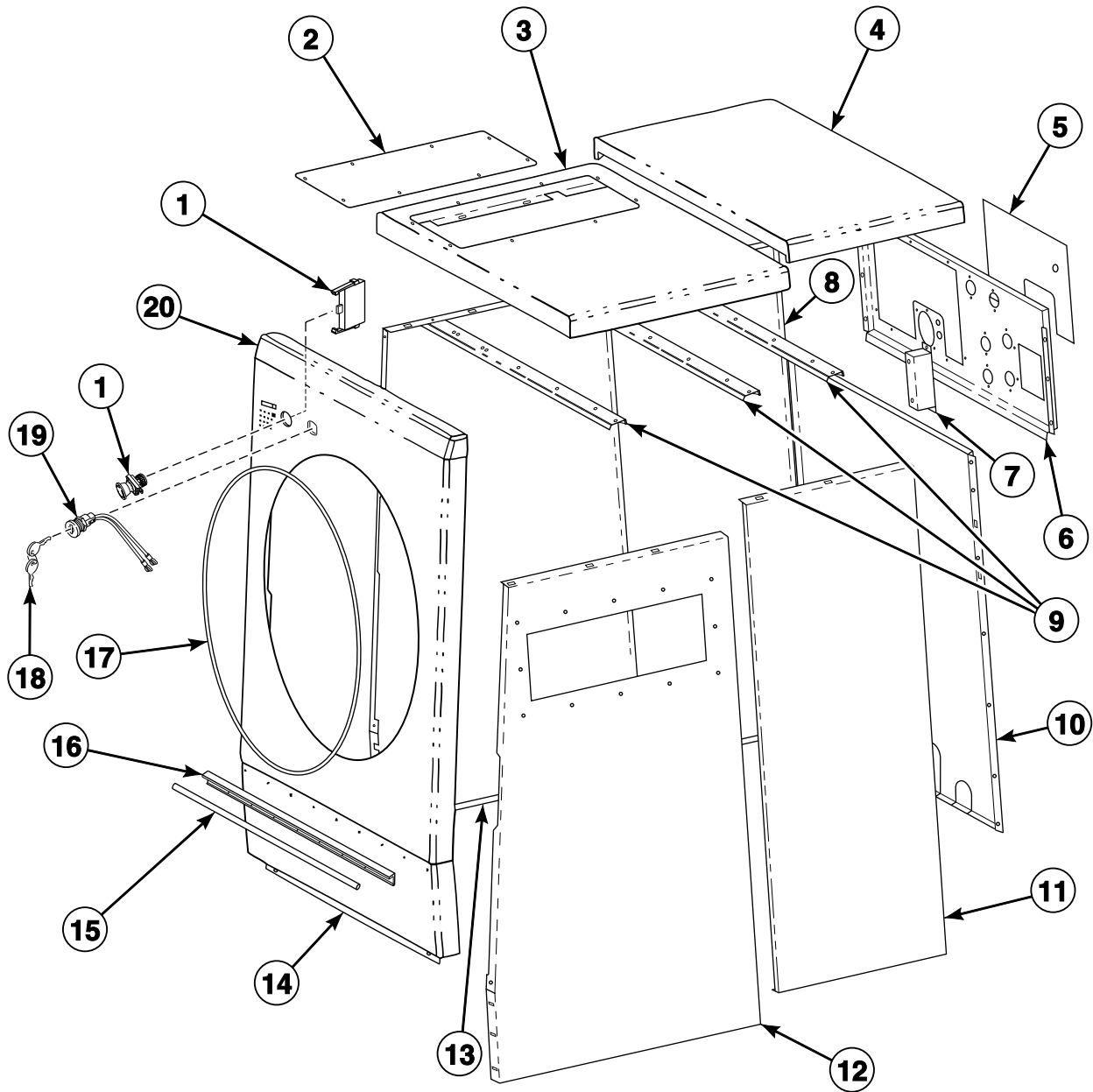


PHM2798P_C002873

Bearing Housing Assembly

REF	PART NO.	DESCRIPTION	COMMENTS
	C001020	Screw	8 required; Bearing housing to frame
	C001021	Washer	8 required; Bearing housing to frame
	F430929	Screw	12 required; Front and rear seal plates to bearing housing
	C000571	Washer	12 required; Front and rear seal plates to bearing housing
	C000628P	Tubing	2 at 33 inches required; Lube fittings to bearing housing
	C000552	Hose	Bearing weep hole
	C000680	Adapter	Bearing weep hole
	90554	Hose Clamp	2 required; Bearing weep hole
	C001642	Drain Weldment	Bearing weep hole
	C001769	Drain Hose	Bearing weep hole
	36801	Hose Clamp	1 required; Bearing weep hole "TEE"
	1390P	Bearing Housing Puller Kit	Purchase
	1390-1	Bearing Housing Puller Kit	Rental; Requires C002023 Hardware Kit
	C002023	Hardware Kit	Use with Rental 1390-1 Bearing Housing Puller Kit
	C003007	Triple Lip Seal	Use with C001946 Bearing Housing Assembly
	C003008	Triple Lip Seal	Use with C000673 Bearing Housing Assembly
1	C000673P	Bearing Housing Assembly	Standard seals
	C001946	Bearing Housing Assembly	Viton seals
2	J1408004	Connector	
3	9002071P	Lubricator	Optional; Not installed
4	C000969	Proximity Mounting Bracket	
5	C001649	Reducing Connector	

Cabinet Assembly



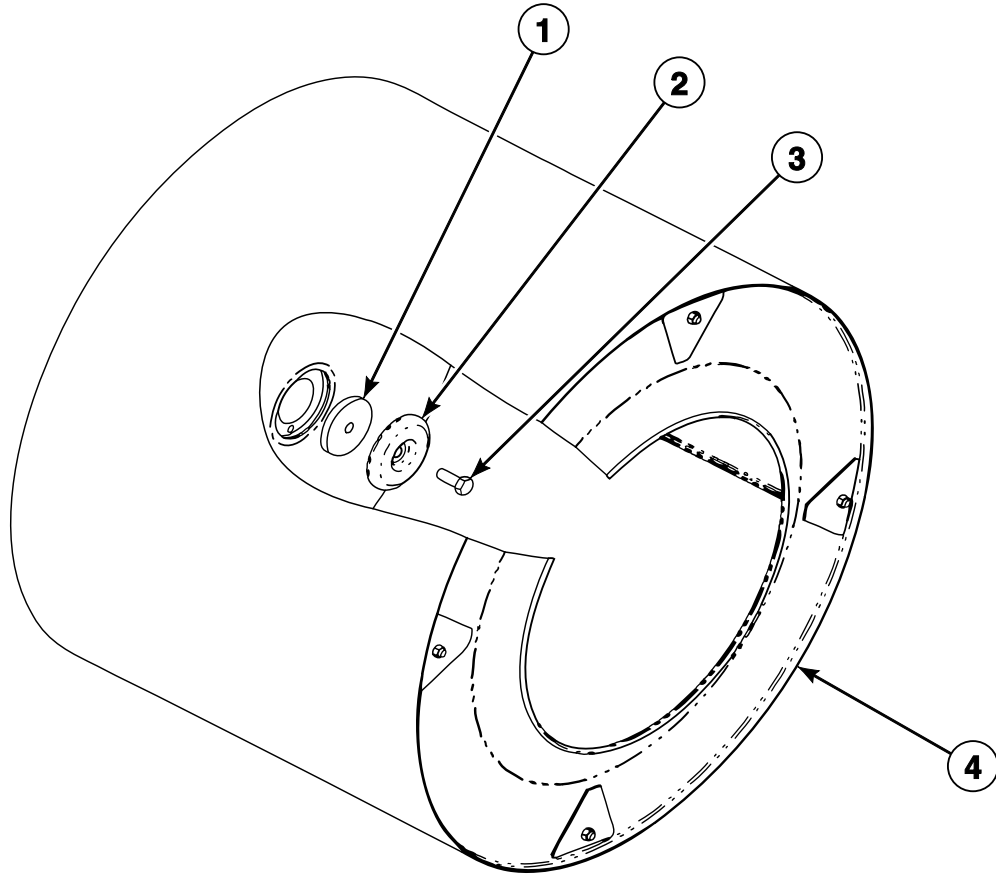
PHM2799P_C002873

Cabinet Assembly

REF	PART NO.	DESCRIPTION	COMMENTS
	C000567	Screw	6 required for valve panel to side panel; 2 required for top panel to valve panel; 12 required for front panel to side panel; 2 required for lower front panel to frame; 6 required for side panel to frame; 4 required for rear cover to side panel; 4 or 5 required for front electrical mounting bracket to side panel; 2 required for grease box to valve panel
	F431024	Nut	6 required for valve panel to side panel; 4 required for front panel to side panel; 4 or 5 required for front electrical mounting bracket to side panel; 2 required for grease box to valve panel
	N/A	Nut	2 required for top panel to valve panel; 2 required for lower front panel to frame; 6 required for side panel to frame; 2 required for rear electrical cover to valve panel
	C000571	Washer	2 required for top panel to valve panel; 2 required for lower front panel to frame; 6 required for side panel to frame; 4 required for rear cover to side panel
	C000585	Washer	2 required for lower front panel to frame; 6 required for side panel to frame
	F430929	Screw	2 required for rear electrical cover to valve panel; 1 required for inlet power cover to valve panel
	F430910	Screw	6 required for rub rails to lower front panel
	C000568	Nut	6 required for rub rails to lower front panel
1	F200233700P	Emergency Stop Button Kit	Includes F200233401 Contact Block Switch and F200233500 Emergency Stop Pushbutton
2	C002017	Top Panel Access Cover	
3	C002986	Front Top Panel Assembly	
4	C001693	Rear Top Panel	
5	C002527	Drive and Power Enclosure Cover	
6	C002983	Valve Panel Assembly	
7	C000539	Grease Connector Box	
8	C002965	Right Rear Side Panel Assembly	
9	C002018	Cabinet Stiffener	
10	C000818	Rear Panel	
11	C002964	Left Rear Side Panel Assembly	
12	C002717	Side Panel and Stiffener Assembly	
13	C002718	Side Panel and Stiffener Assembly	
14	C000819	Lower Front Panel	Models through 6/30/09
	C003081	Lower Front Panel	Models starting 7/1/09
15	C001015	Insert Rail	
16	C001014	Rub Rail	Vinyl
17	C000629	Trim Gasket	
18	1242	Programming Key	
19	C003024P	Keymode Switch Assembly	
20	C002974	Front Panel Assembly	

N/A = Part no longer available

Cylinder Assembly

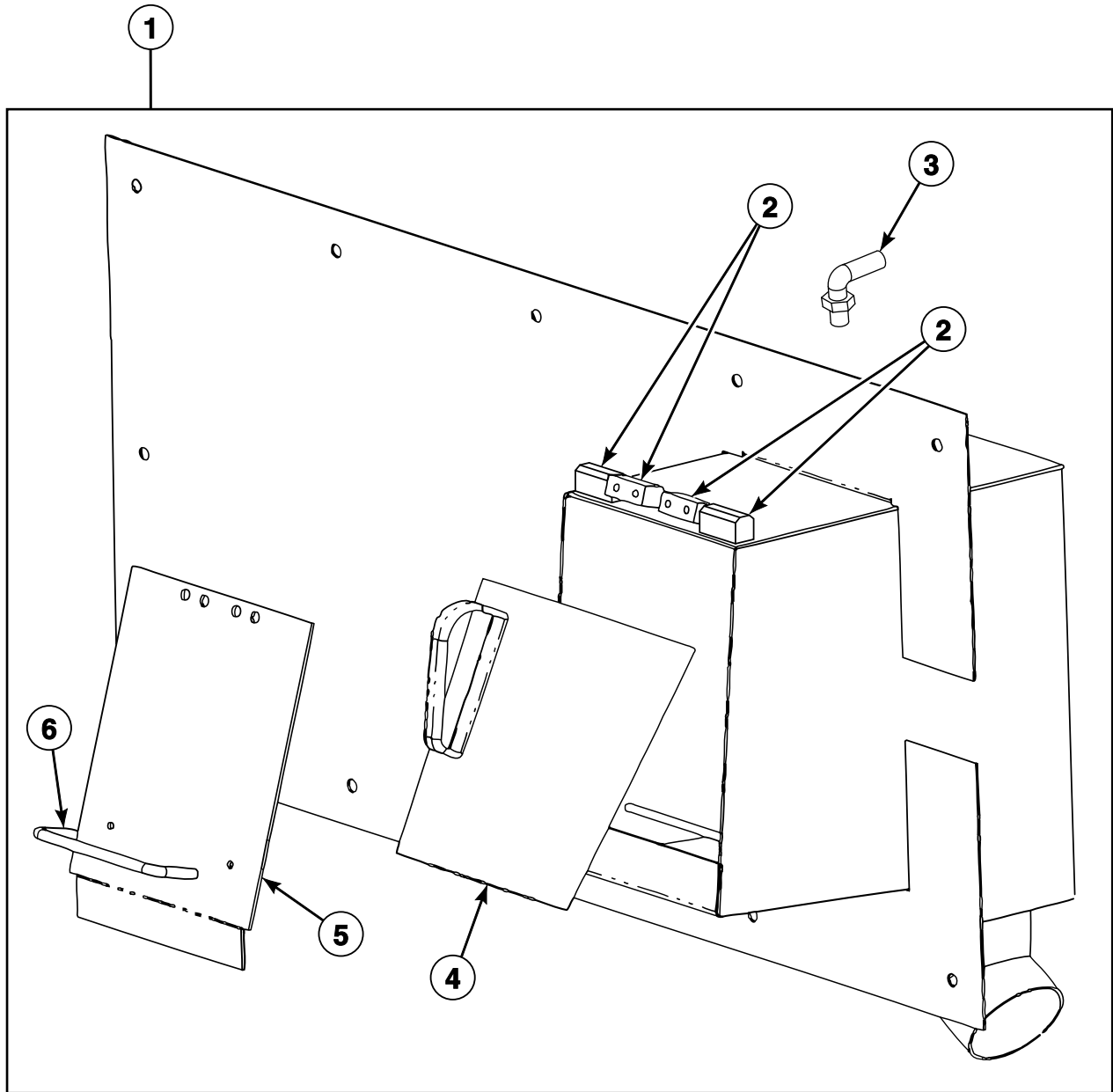


PHM2800P_C002873

Cylinder Assembly

REF	PART NO.	DESCRIPTION	COMMENTS
1	C001239	Washer	
2	C001238	Cylinder Bolt Shroud	
3	C001294	Screw	
4	C001697P	Cylinder Assembly Kit	

Single Cup Side Dispenser



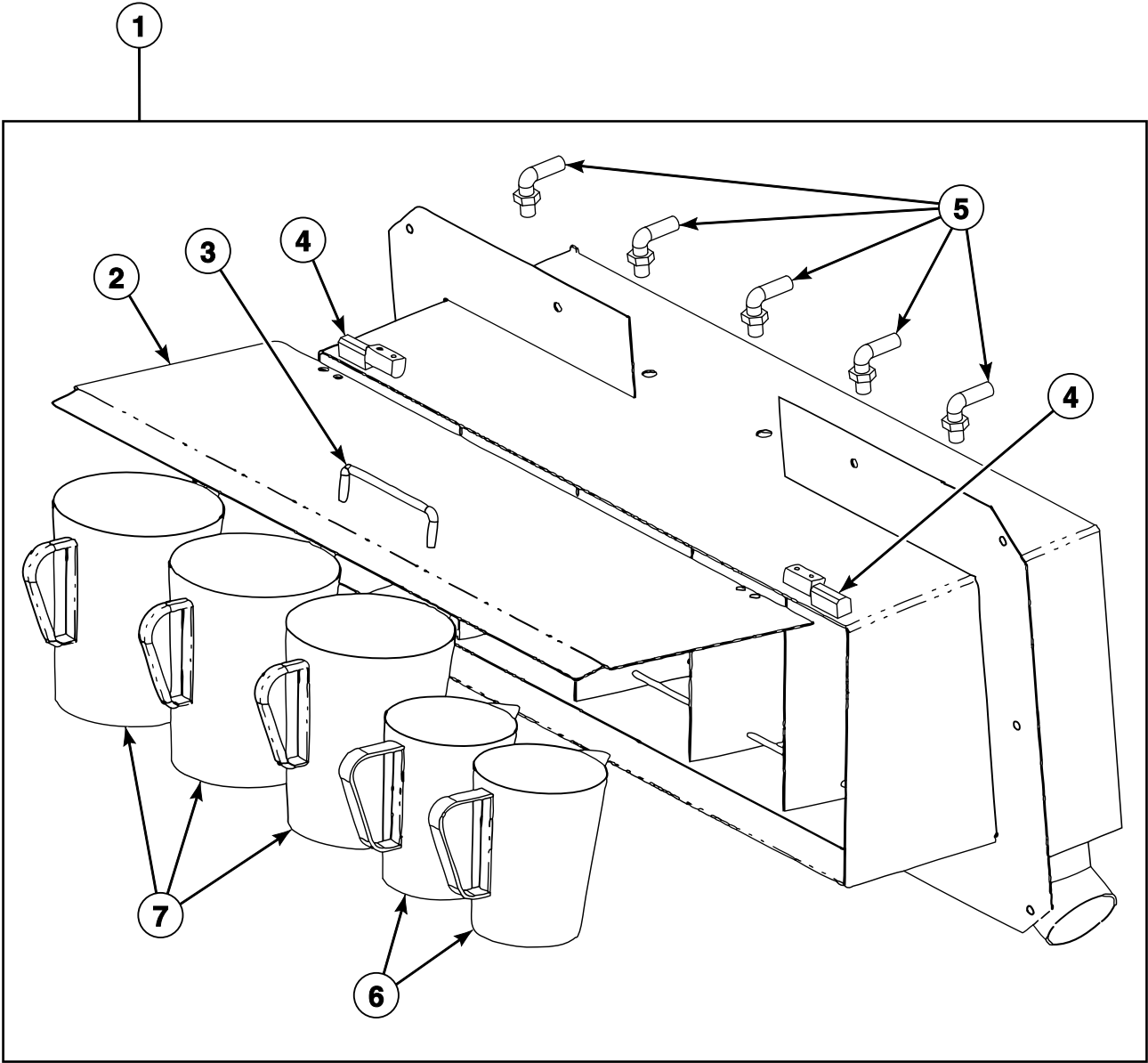
PHM2732P_C002873

Single Cup Side Dispenser

REF	PART NO.	DESCRIPTION	COMMENTS
	C001148	Screw	4 required for hinges to cover; 4 required for hinges to control panel
	F430920	Screw	2 required; Dispenser cover to handle
	F430925	Screw	2 required; Dispenser to control panel
	N/A	Nut	2 required; Dispenser to control panel
	C000552	Hose	Flush hose; 22 inches required
	F200201	Hose Clamp	2 required; Dispenser hose
1	C001582	Single Side Dispenser Assembly	Includes items 2-6
2	C001787	Hinge	
3	C000073	Supply Dispenser Nozzle	
4	C000646	Supply Cup	1000 ml
5	C000855	Single Side Dispenser Door	
6	C001788	Dispenser Door Handle	

N/A = Part no longer available

5 Cup Side Dispenser



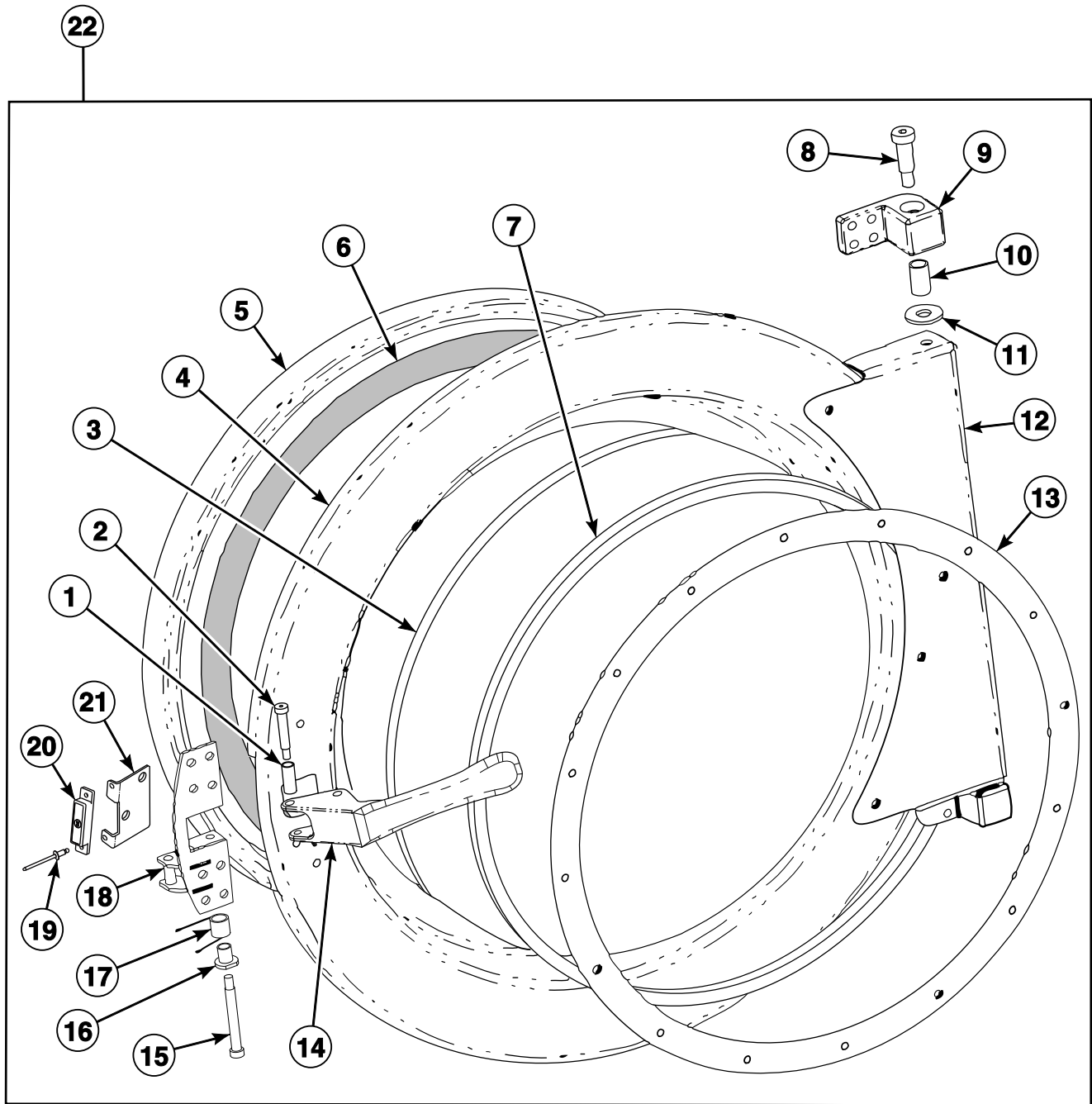
PHM2733P_C002873

5 Cup Side Dispenser

REF	PART NO.	DESCRIPTION	COMMENTS
	36801	Hose Clamp	7 required
	C001004	Spring Hose Clamp	5 required
	F200201	Hose Clamp	2 required; Dispenser hose
	C000552	Hose	Flush hose; 22 inches required for supply cup 1; 28 inches required for supply cup 2; 33 inches required for supply cup 3; 38 inches required for supply cup 4; 42 inches required for supply cup 5
	C001148	Screw	4 required for hinges to cover; 4 required for hinges to control panel
	F430920	Screw	2 required; Dispenser cover to handle
	F430925	Screw	2 required; Dispenser to control panel
	N/A	Nut	2 required; Dispenser to control panel
1	C001583	Side Dispenser Assembly	Includes items 2-7
2	C000642	Side Dispenser Door	
3	C001788	Dispenser Door Handle	
4	C001787	Hinge	
5	C000073	Supply Dispenser Nozzle	
6	C000647	Supply Cup	500 ml
7	C000646	Supply Cup	1000 ml

N/A = Part no longer available

Door Assembly



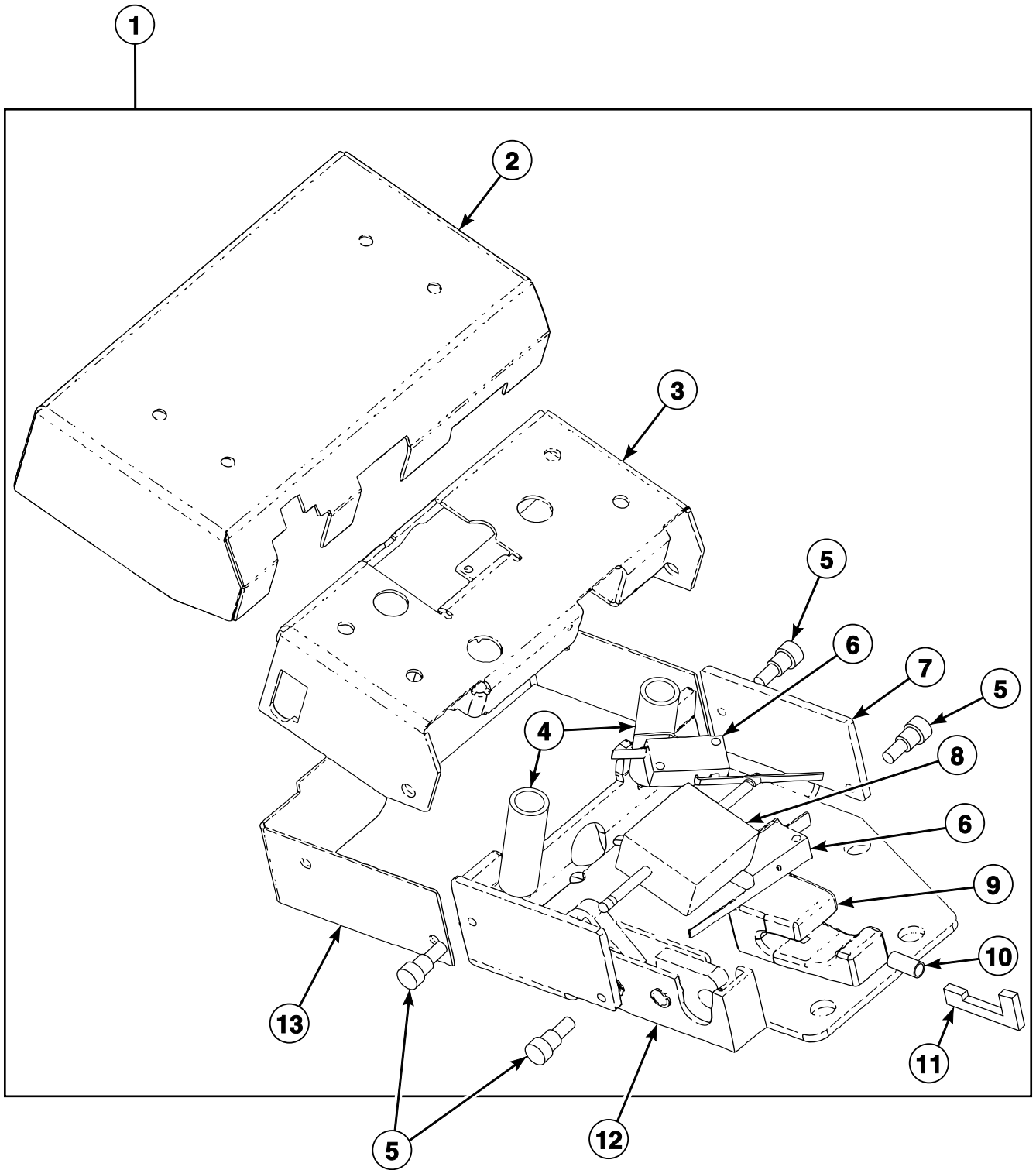
PHM3095P_C002873

Door Assembly

REF	PART NO.	DESCRIPTION	COMMENTS
	C000559	Bolt	8 required; Door hinge block to shell front
	C000574	Nut	8 required; Door hinge block to shell front
	C000177	Washer	2 required; Door hinge block to hinge
	803017	Nut	2 required; Door hinge block to hinge
	C000561	Bolt	5 required for door hinge to door; 3 required for door handle hinge to door
	C000560	Nut	5 required for door hinge to door; 4 required for door handle hinge to door
	F431026	Nut	8 required; Door glass retainer to door
	C000601	Stud	8 required; Door glass retainer to door
	F431024	Nut	1 required; Door handle to door handle hinge
	C001236	Nut	1 required; Door handle to door handle bushing
	C001546	Door Bumper	
	C001032	Screw	Door bumper
1	C000181	Door Handle Bushing	
2	C000180	Bolt	1 required; Door handle to door handle bushing
3	C000749	Door Glass	
4	C000710	Door	
5	253/00162/02	Door Seal	
6	F200001600P	Shell Band Gasket	7 feet required
7	C000750	Door Glass Gasket	
8	C001784	Bolt	2 required; Door hinge block to hinge
9	C000175	Hinge Block	
10	C000176	Door Hinge Bushing	
11	C000177	Washer	
12	C000752	Door Hinge	
13	C000751MD	Door Glass Retainer	
14	C001679P	Door Handle	
15	C001785	Bolt	1 required; Door handle to door handle hinge
16	C000192	Door Handle Spring Bushing	
17	C001786	Door Handle Torsion Spring	
18	C000470	Door Handle Hinge Weldment	
19	F431223	Pop Rivet	
20	F8390801	Magnet	
21	C002994	Door Magnet Mounting Bracket	
22	C000748P	Door Assembly	Includes items 1-21

Door Lock Assembly

Models Through Serial No. 0902007001



PHM2735P_C002873

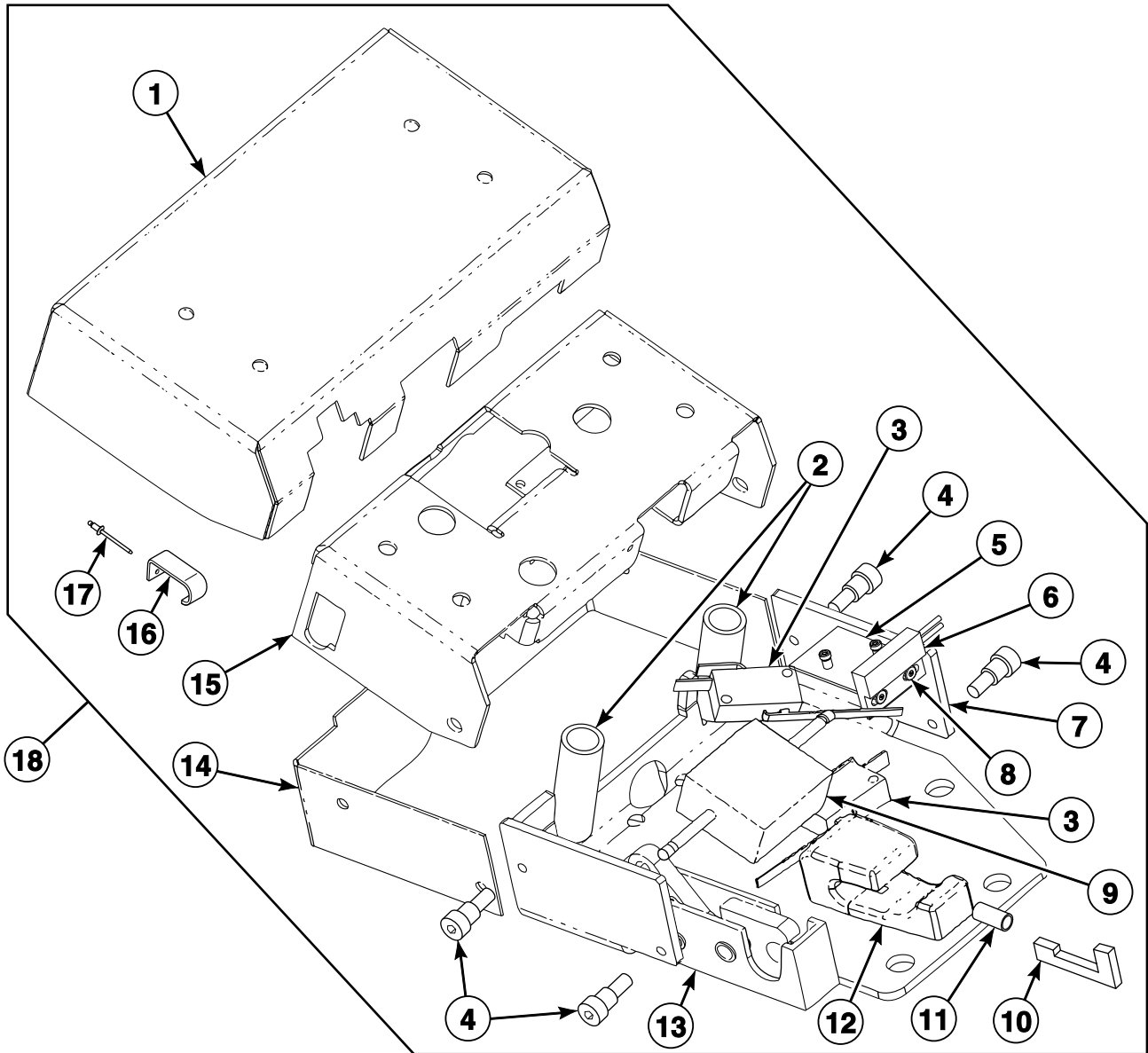
Door Lock Assembly

REF	PART NO.	DESCRIPTION	COMMENTS
	C000867P	Door Lock Harness	Models through 7/14/11
	81398	Screw	4 required; Door lock cover to solenoid bracket
	C000614	Screw	2 required for door lock switch to door lock plate; 2 required for door lock switch to door lock solenoid bracket
	C000578	Nut	2 required for door lock switch to door lock plate; 2 required for door lock switch to door lock solenoid bracket
	C000561	Bolt	4 required; Door lock to shell front
	C000574	Nut	4 required; Door lock to shell front
	C000567	Screw	2 required; Door latch to door lock plate
	C000571	Washer	2 required; Door latch to door lock plate
	C000572	Screw	2 required; Door lock solenoid to bracket
	C000612	Screw	3 required; Door lock catch to door lock plate
	C000430	Bolt	4 required; Door solenoid bracket to door lock plate
	C000576	Nut	2 required; Door solenoid bracket to door lock plate
1	N/A	Door Lock Assembly	Models through 7/14/11 with C001036P Door Lock Assembly MUST order C002996M Door Lock Kit
	C002996M	Door Lock Kit	
2	C000688	Door Lock Cover	
3	C003022	Door Lock Solenoid Bracket	
4	C000431	Spring	
5	C000430	Bolt	
6	C000278	Door Lock Microswitch	
7	C000684	Door Lock Plate	
8	C000184P	Door Lock Solenoid	
9	C000185	Door Lock Catch	
10	C000276	Door Lock Slide Spring	
11	C000271	Door Lock Switch Slide	
12	C001244	Door Latch	
13	C000687	Door Lock Spring Cover	

N/A = Part no longer available

Door Lock Assembly with Magnetic Sensor

Models Starting Serial No. 0902007002



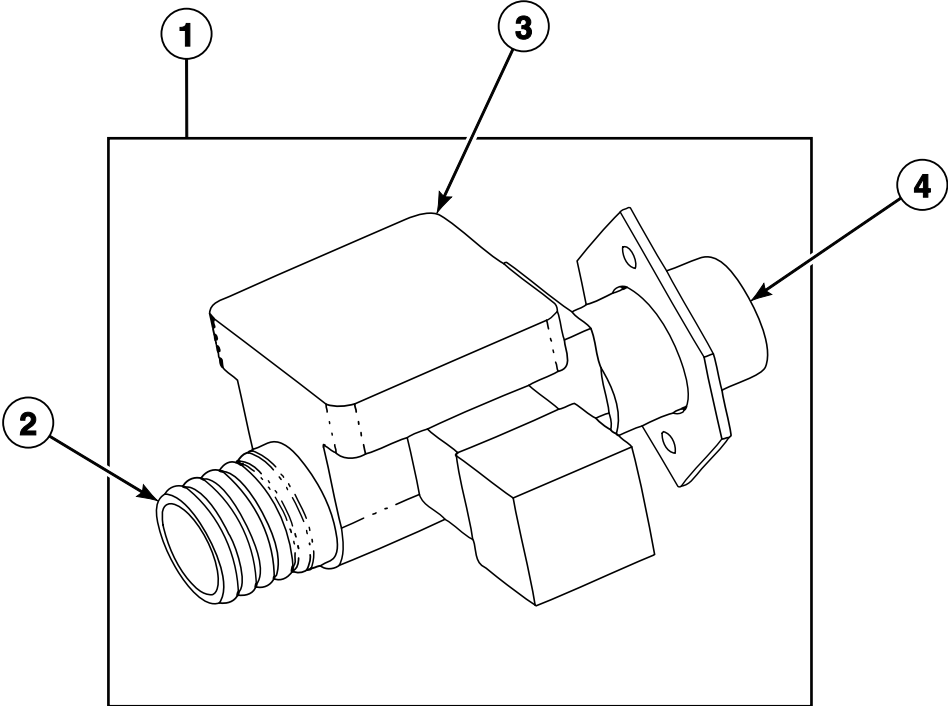
PHM3149P_C002873

Door Lock Assembly with Magnetic Sensor

REF	PART NO.	DESCRIPTION	COMMENTS
	81398	Screw	4 required for door lock cover to solenoid bracket; Models starting 3/23/04
	C000613	Screw	2 required for door solenoid bracket to door lock plate; Models through 3/23/04
	C000614	Screw	2 required for door lock switch to door lock plate; 2 required for door lock switch to door lock solenoid bracket
	C000578	Nut	2 required for door lock switch to door lock plate; 2 required for door lock switch to door lock solenoid bracket
	C000561	Bolt	4 required for door lock to shell front
	C000574	Nut	4 required for door lock to shell front
	C000567	Screw	2 required for door latch to door lock plate
	C000571	Washer	2 required for door latch to door lock plate; Models starting 3/23/04
	C000572	Screw	2 required for door lock solenoid to bracket
	C000612	Screw	3 required for door lock catch to door lock plate
	C000430	Bolt	4 required for door solenoid bracket to door lock plate for models starting 3/23/04; 4 required for door lock cover to door lock plate for models through 3/23/04
	C000576	Nut	2 required for door lock cover to door lock plate
	C000867P	Door Lock Harness	
1	C000688	Door Lock Cover	
2	C000431	Spring	
3	C000278	Door Lock Microswitch	
4	C000430	Bolt	
5	C002994	Door Magnet Mounting Bracket	
6	C003000	Reed Switch Assembly	
7	C000684	Door Lock Plate	
8	J1111905	Blind Rivet	Models through 7/14/11
	F8245101	Blind Rivet	Models that have been upgraded with C002996M Door Lock Kit or models starting 7/15/11
9	C000184P	Door Lock Solenoid	
10	C000271	Door Lock Switch Slide	
11	C000276	Door Lock Slide Spring	
12	C000185	Door Lock Catch	
13	N/A	Door Latch	Models through 3/23/04
	C001244	Door Latch	Models starting 3/23/04
14	C000687	Door Lock Spring Cover	
15	C003022	Door Lock Solenoid Bracket	
16	B12351001	Door Lock Spring	Models starting 12/13/10
17	F431215	Pop Rivet	Models starting 12/13/10
18	C002996M	Door Lock Kit	Includes items 1-17;

N/A = Part no longer available

Hot and Auxiliary with Valve Plumbing Assembly

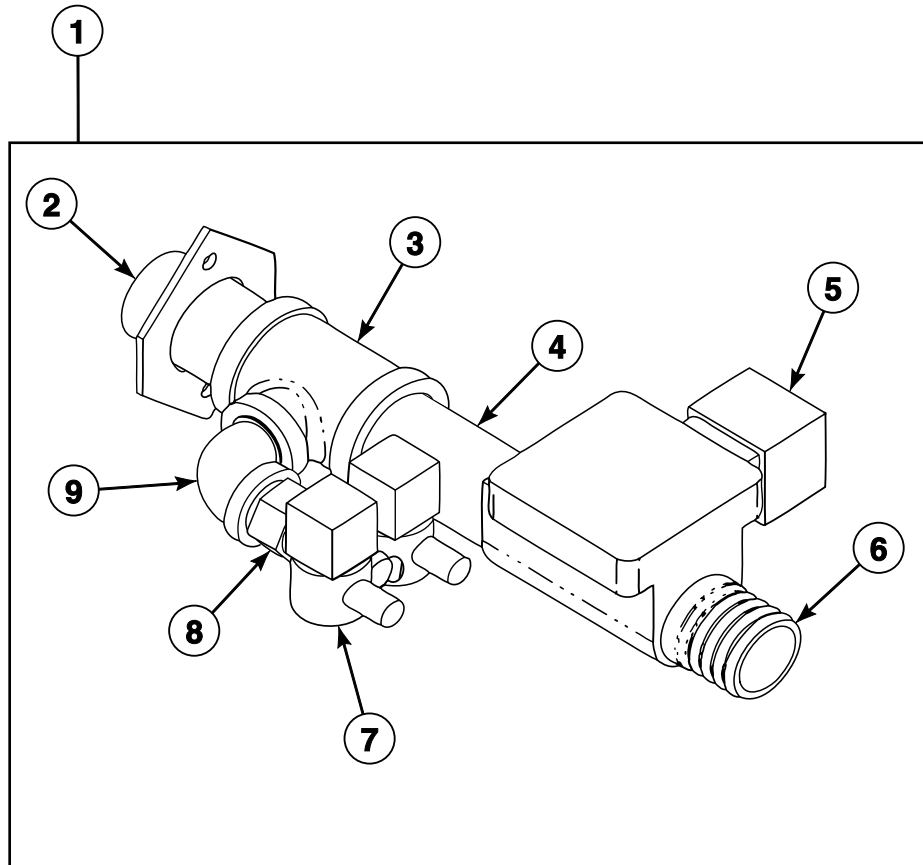


PHM2802P_C002873

Hot and Auxiliary with Valve Plumbing Assembly

REF	PART NO.	DESCRIPTION	COMMENTS
	C000567	Screw	2 required; Hot manifold to valve panel
	F431024	Nut	2 required; Hot manifold to valve panel
	C001011	Hose	Water valve to vacuum breaker; 43 inches required for hot water valve; 37 inches required for auxiliary water valve
1	C002539	Hot Plumbing Assembly	Includes items 2-4
2	C000899	Hose Barb	
3	C000339P	Water Valve	
	C001676P	Water Valve Rebuild Kit	
4	C002164	Mounting Flange Weldment	

Cold 1 Cup Water Plumbing Assembly

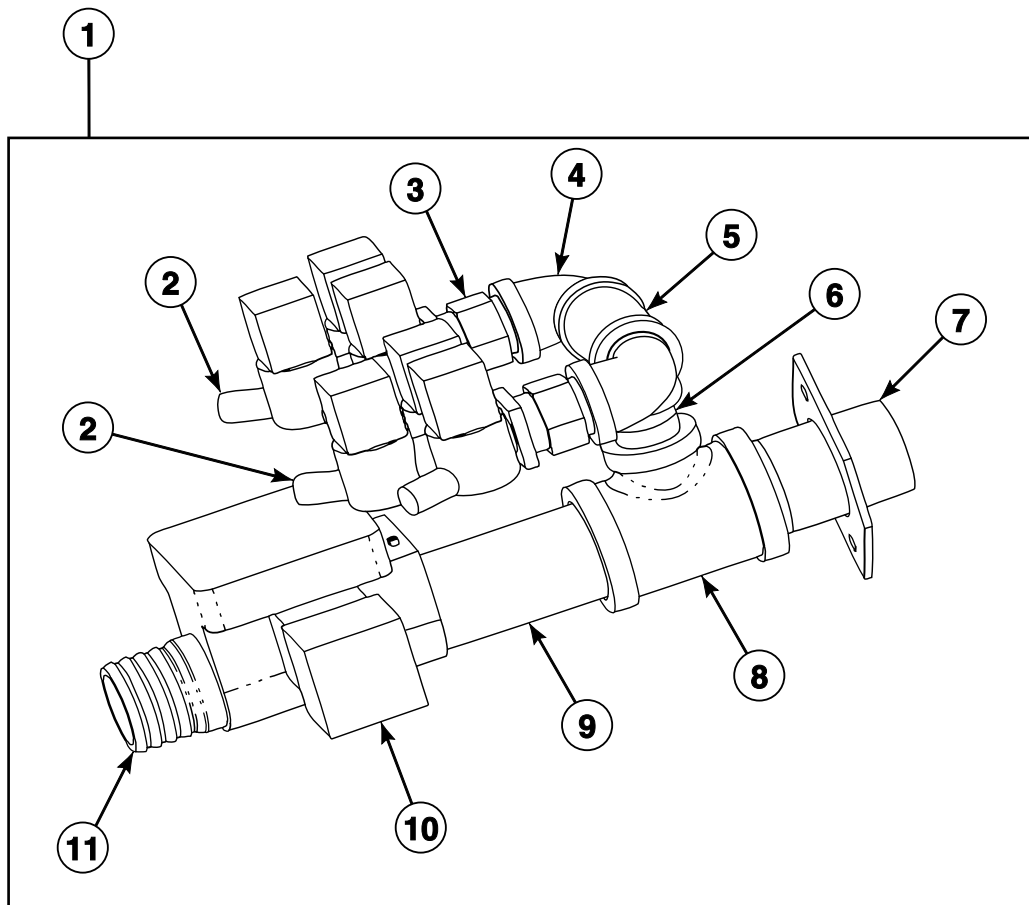


PHM2803P_C002873

Cold 1 Cup Water Plumbing Assembly

REF	PART NO.	DESCRIPTION	COMMENTS
	C002609P	Inlet Valve Harness	
	C000567	Screw	2 required; Cold manifold to valve panel
	F431024	Nut	2 required; Cold manifold to valve panel
	C001011	Hose	Water valve to vacuum breaker; 22 inches required
1	C002537	Single Cup Cold Plumbing Assembly	
2	C002164	Mounting Flange Weldment	
3	C002165	Reducing Tee	
4	C000894	Nipple	
5	C000339P	Water Valve	
6	C000899	Hose Barb	
7	C000716P	Valve	2-way
8	C000424	Adapter	
9	F420502	Street Elbow	

Cold 5 Cup Water Plumbing Assembly

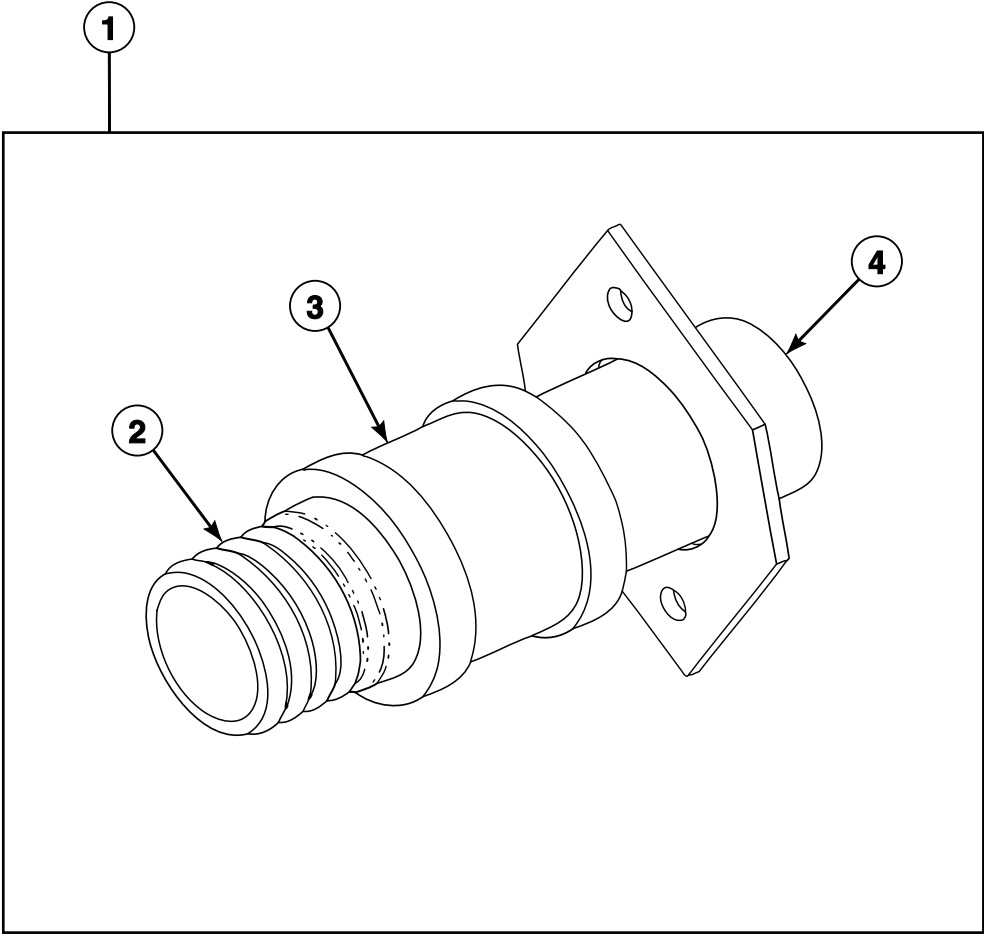


PHM2804P_C002873

Cold 5 Cup Water Plumbing Assembly

REF	PART NO.	DESCRIPTION	COMMENTS
	C002612P	Inlet Valve Harness	
	C000567	Screw	2 required; Cold manifold to valve panel
	F431024	Nut	2 required; Cold manifold to valve panel
	C001011	Hose	Water valve to vacuum breaker; 22 inches required
1	C002538	5 Cup Cold Plumbing Assembly	
2	C000436P	Water Valve	3-way
	G582P3	Diaphragm and Guide Kit	
3	C000424	Adapter	
4	F420502	Street Elbow	
5	F420403	Tee	
6	F420105	Nipple	
7	C002164	Mounting Flange Weldment	
8	C002165	Reducing Tee	
9	C000894	Nipple	
10	C000339P	Water Valve	
11	C000899	Hose Barb	

Auxiliary Fill without Valve Plumbing Assembly

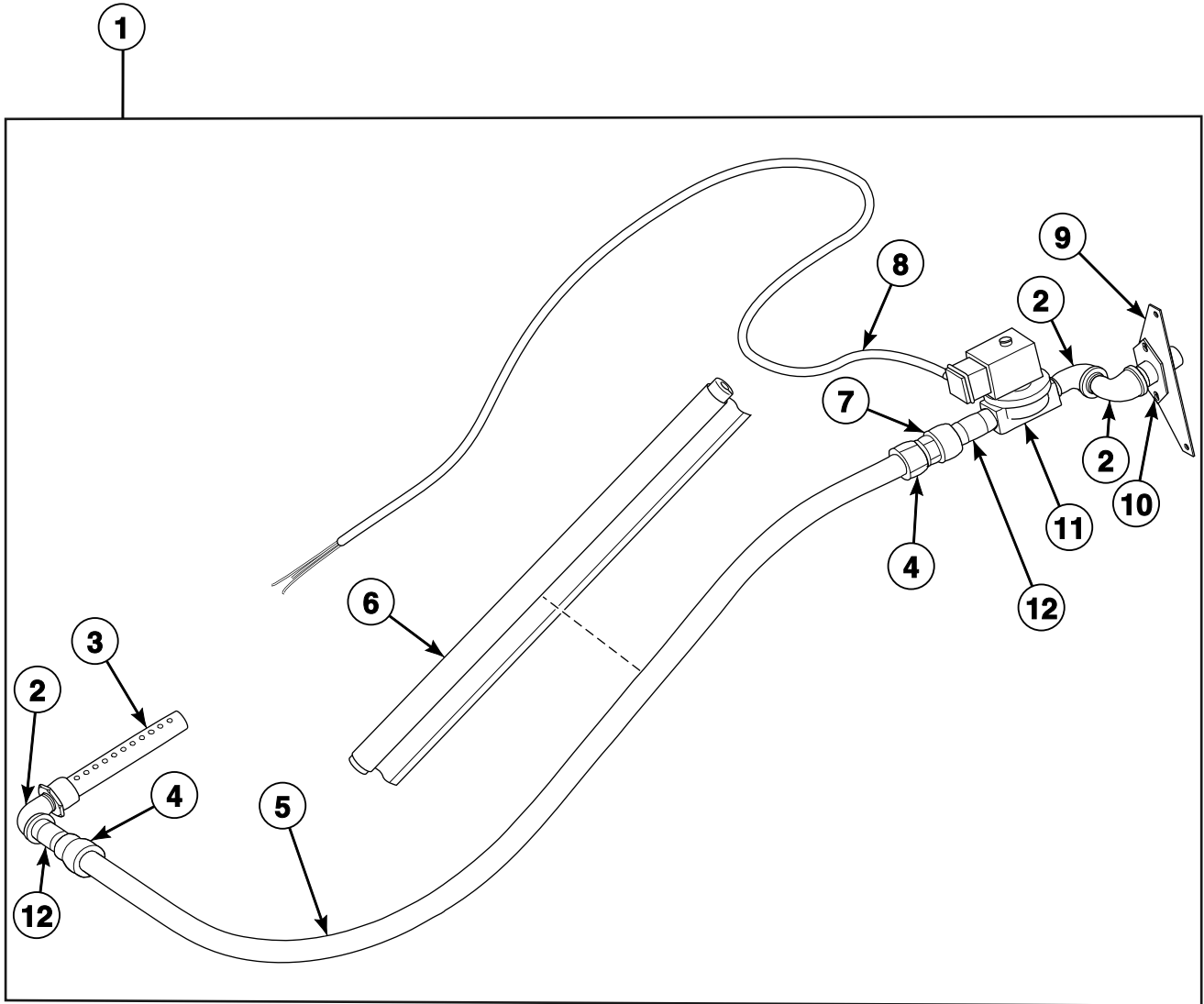


PHM2805P_C002873

Auxiliary Fill without Valve Plumbing Assembly

REF	PART NO.	DESCRIPTION	COMMENTS
1	C002397	Auxiliary Plumbing Assembly	
2	C000899	Hose Barb	
3	C001143	Coupling	
4	C002164	Mounting Flange Weldment	

Steam Heat Assembly

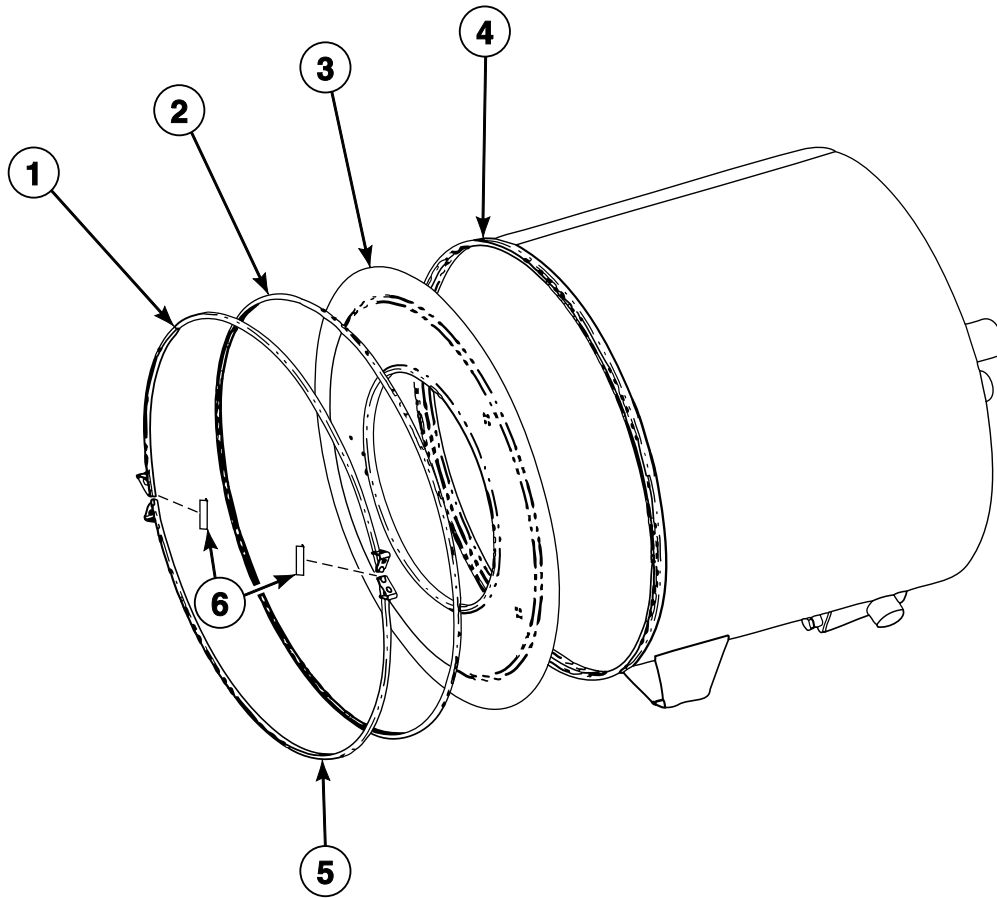


PHM3094P_C002873

Steam Heat Assembly

REF	PART NO.	DESCRIPTION	COMMENTS
1	C001000	Steam Option Assembly	
2	F421707	Street Elbow	
3	F603132	Steam Injector Tube Assembly	
4	C000978	Reducing Coupling	
5	C000982	Steam Hose	
6	C001003	Steam Hose Insulation	
7	C001587	Steam Hose Adapter	
8	C002748P	Steam Cord Assembly	
9	C000981	Steam Valve Mounting Bracket	
10	C002898	Steam Inlet Weldment	
11	F8322904	Steam Valve	
12	F421323	Nipple	

Shell Assembly

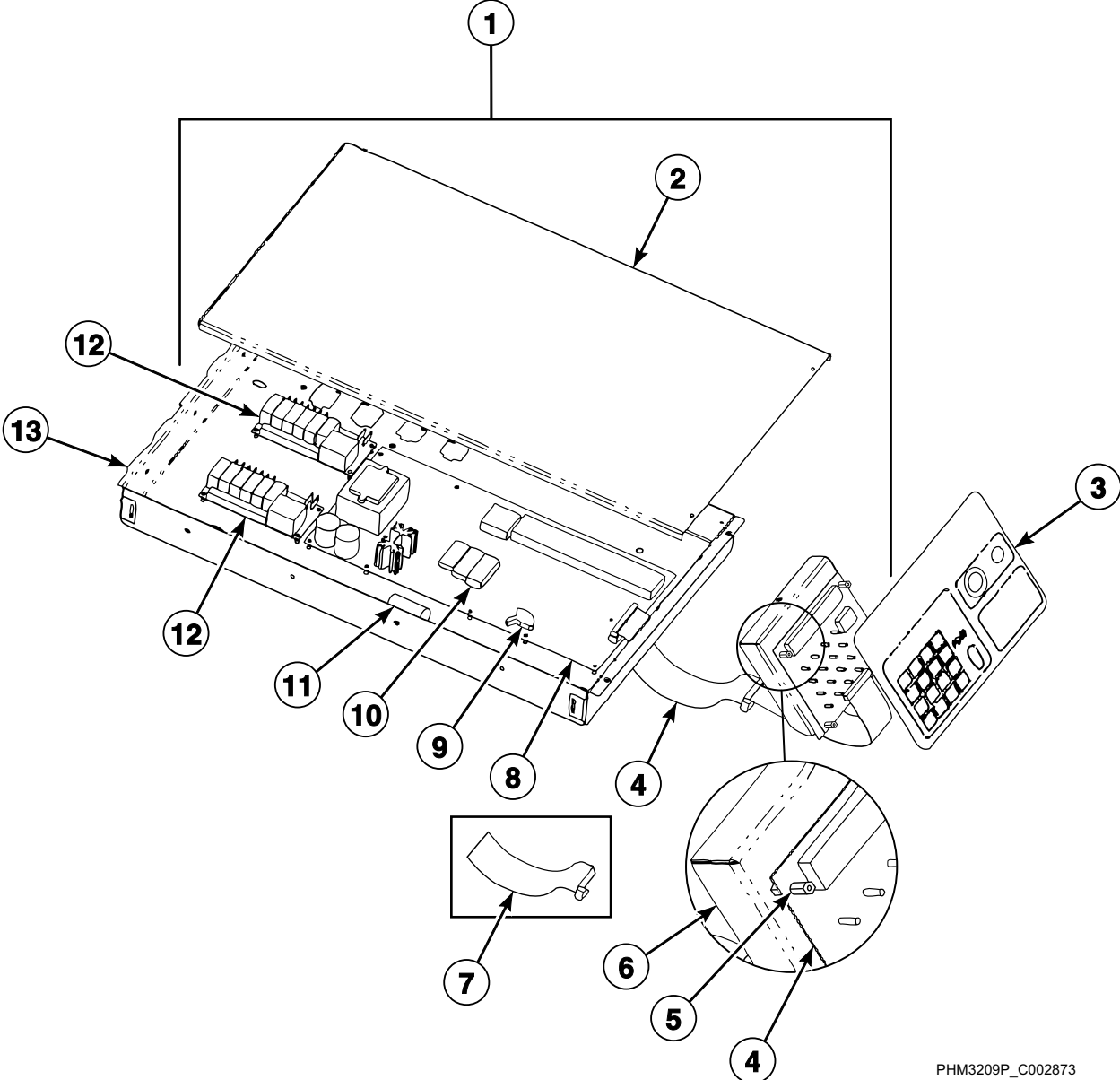


PHM3207P_C002873

Shell Assembly

REF	PART NO.	DESCRIPTION	COMMENTS
	C001907	Screw	2 required; To hold bands together
	C000560	Nut	2 required; To hold bands together
	J1001270	Washer	As required; To hold bands together
	C000273	Bolt	4 required for shell support bracket to frame; 2 required for shell support bracket to shell
	C000611	Nut	4 required for shell support bracket to frame; 2 required for shell support bracket to shell
	C000583	Washer	8 required for shell support bracket to frame; 4 required for shell support bracket to shell
	C001032	Screw	8 required; Shell back to frame
1	C002730	Shell Band Weldment	Short
2	C001876P	Shell Front Gasket	
3	C002978	Shell Front Assembly	Models through 12/1/09
	C002943	Shell Front Assembly	Models starting 12/2/09
4	C001700	Shell Assembly	
5	C001887	Shell Band Weldment	Long
6	F601216	Shell Gasket Shield	

Control Box



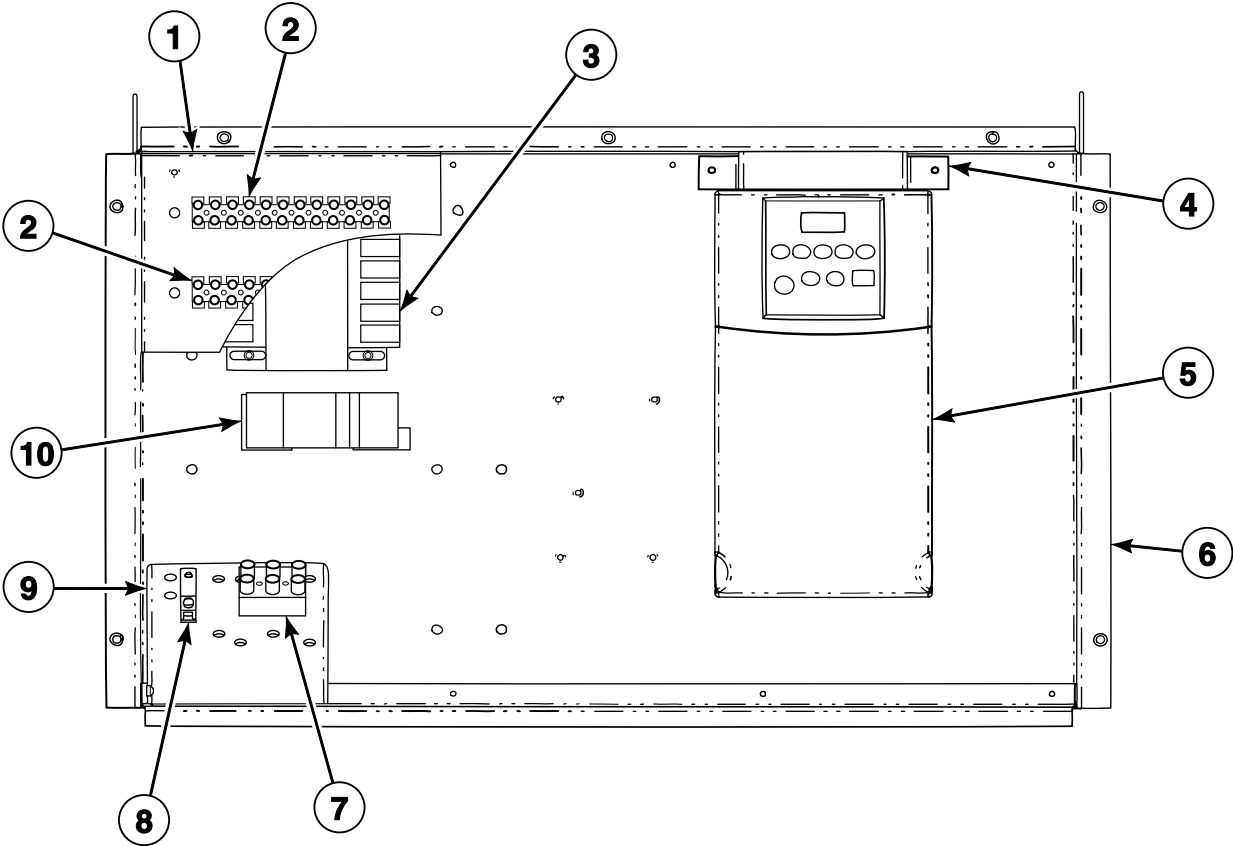
PHM3209P_C002873

Control Box

REF	PART NO.	DESCRIPTION	COMMENTS
	C000865	Control Module Harness	
	C000567	Screw	4 required for electrical box to mounting bracket; 1 required for keypad mounting plate to control panel
	N/A	Nut	4 required; Electrical box to mounting bracket
	C000571	Washer	4 required; Electrical box to mounting bracket
	F430909	Screw	2 required for electrical box cover to electrical box; 2 required for ground connection to electrical box
	210/00902/00	Infrared Cable	
	F431133	Washer	4 required; Keypad to keypad mounting plate
	F430910	Screw	4 required; Keypad to keypad mounting plate
	F431024	Nut	1 required; Keypad mounting plate to control panel
1	C000432	Front Electrical Enclosure Assembly	Includes items 2, 4-6 and 11
2	C000348	Front Electrical Enclosure Cover	
3	C001389	Control Panel Decal	Models CP175PHN1 and CPC175H
	C001276	Control Panel Decal	Models IP175PHN1, IPH175H and IPH790
	C001069	Control Panel Decal	Model JP175PHN1
4	C000282P	Keypad Controller	Includes items 5 and 6
5	C000376	Standoff	
6	C000375	Mounting Bracket	
7	C000705P	Ribbon Cable	
8	C000281P	Main Board Controller Kit	
9	C002104P	Water Level Transducer	
10	209/00505/04	Battery	
11	C002642P	Tilt Switch Assembly	
12	C000371P	Chemical Supply Controller	Optional
13	C000213	Front Electrical Enclosure	

N/A = Part no longer available

Drive Box Assembly



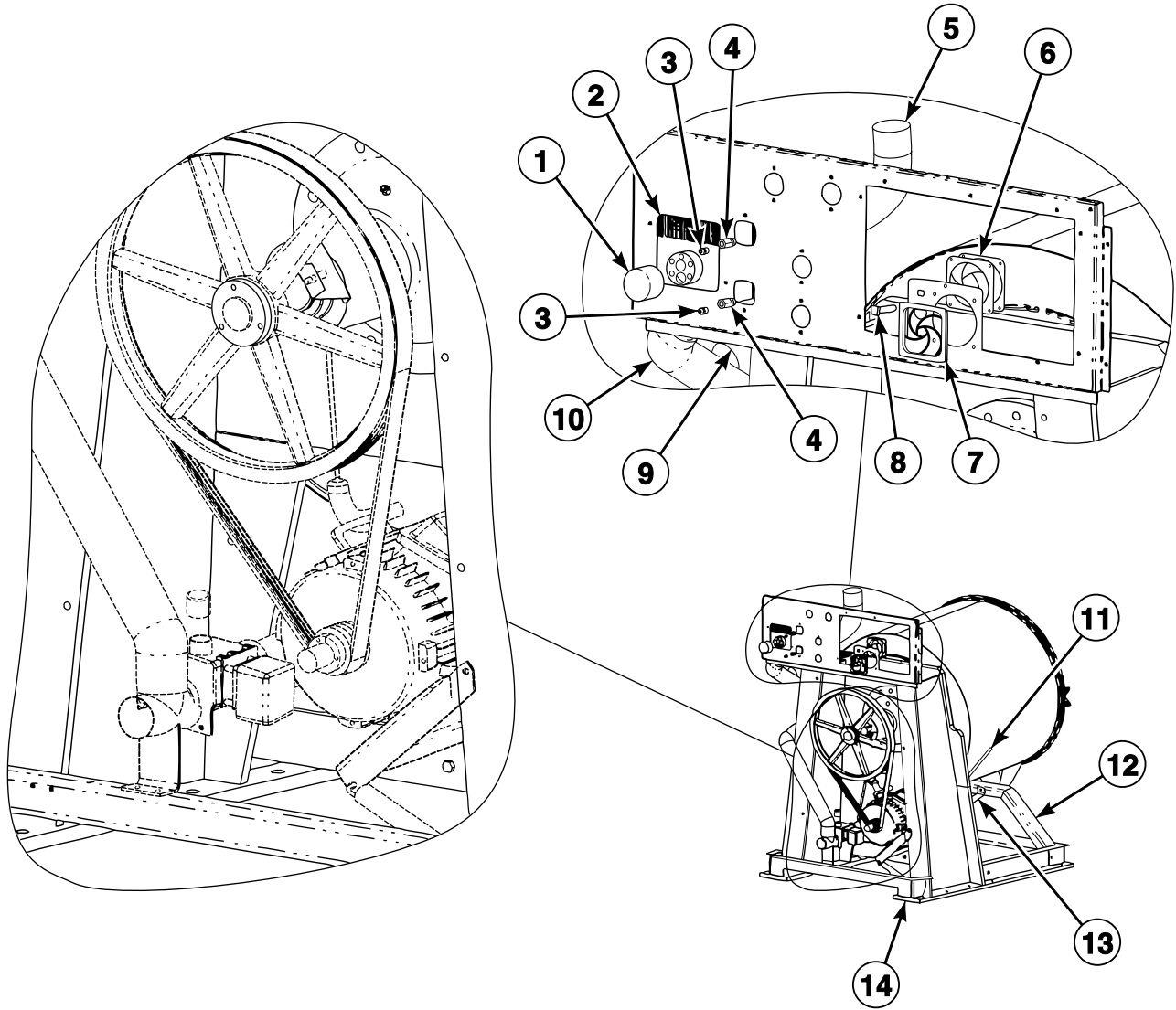
PHM2808P_C002873

Drive Box Assembly

REF	PART NO.	DESCRIPTION	COMMENTS
	C002570	Drive Box Harness	
	C000567	Screw	4 required; Drive box to valve panel
	N/A	Nut	4 required; Drive box to valve panel
	C000571	Washer	4 required; Drive box to valve panel
	F430909	Screw	2 required for exhaust bracket to box; 3 required for chemical terminal mounting bracket to box; 4 required for AC drive to box; 4 required for EMI filter to box; 4 required for transformer to box; 3 required for ground lug to box
	C000575	Screw	2 required; Input power block to box
	F430938	Screw	2 required; Chemical signal terminal block to bracket
	C000568	Nut	2 required; Chemical signal terminal block to bracket
	F140602	Tie Wrap Mounting Clamp	
	C002779	Chemical Supply Harness	PT1
	C002780	Chemical Supply Harness	PT2
	C002781	Chemical Supply Harness	PT3
1	C000373	Mounting Bracket	
2	C000370	Power Block Terminal	
3	C000203	Transformer	
4	C002526	Exhaust Bracket	
5	C002507	Inverter	
6	C002524	Drive Box Assembly	
7	C000290	Power Block Terminal	
8	C001803	Ground Terminal Lug	
9	C001132	Terminal Bracket	
10	N/A	Circuit Breaker	1 Amp; 380-480 Volt; Order C0977P3 Circuit Breaker Kit
	F350217	Circuit Breaker	.5 Amp; 380-480 Volt; Use with models that have been retrofitted with C0977P3 Circuit Breaker Kit
	C0977P3	Circuit Breaker Kit	380 - 480 Volt; Includes F350217 Circuit Breaker

N/A = Part no longer available

Main Assembly (Drawing 1 of 2)



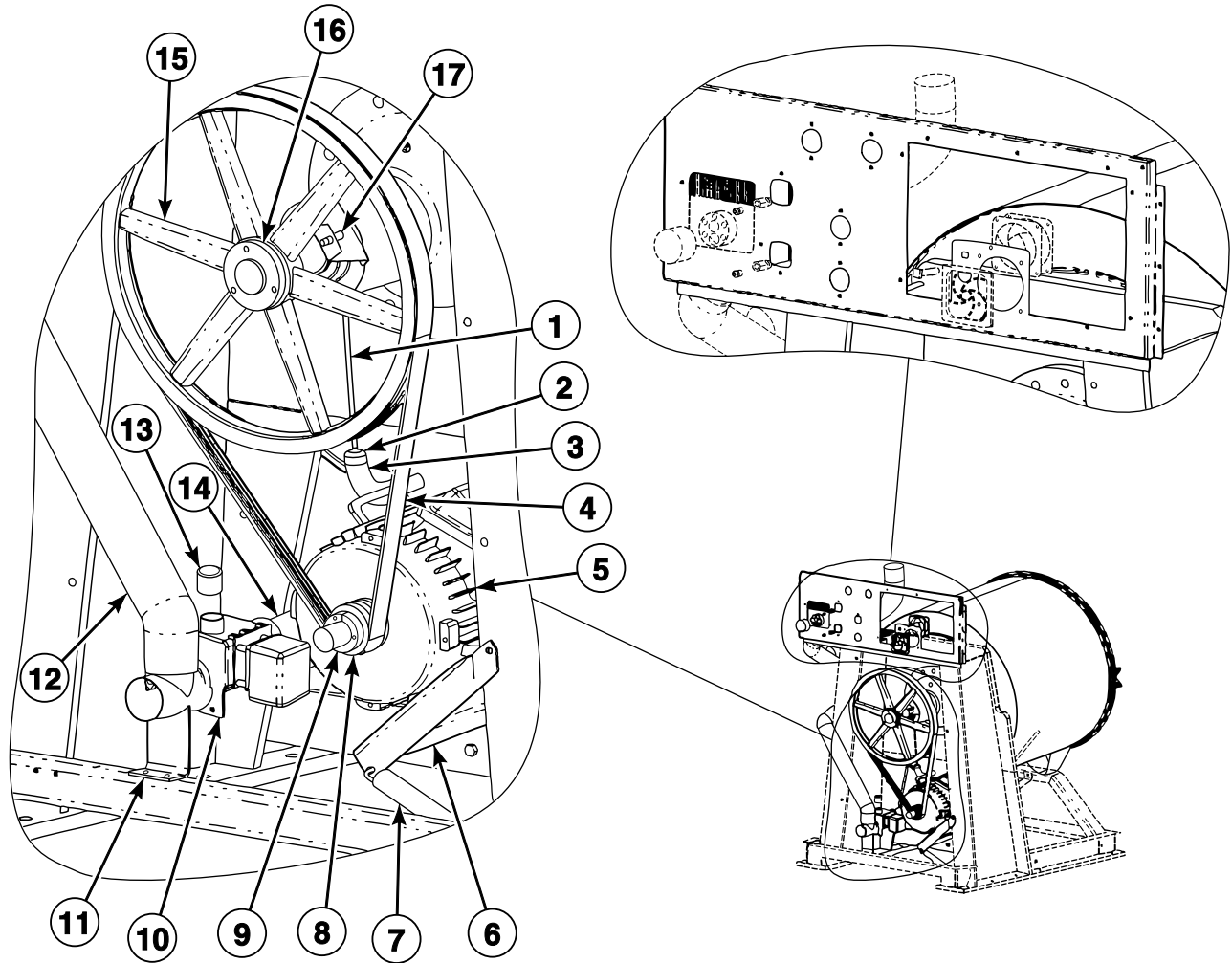
PHM2809P_C002873

Main Assembly (Drawing 1 of 2)

REF	PART NO.	DESCRIPTION	COMMENTS
	C000510	Temperature Probe Grommet	
	C000567	Screw	4 required; Vacuum breaker to valve panel
	N/A	Nut	4 required; Vacuum breaker to valve panel
	F430938	Screw	4 required; Cooling fan to valve panel
	C000568	Nut	4 required; Cooling fan to valve panel
	F200222	Hose Clamp	4 required; Inlet valve to vacuum breaker
	C000552	Hose	Flush hose for vacuum breaker; 27 inches required
	C000679	Vacuum Breaker Plug	Use with old style vacuum breaker
	C000680	Adapter	Use with old style vacuum breaker
	C002617P	Single Fan Harness	
1	C001772	Vacuum Breaker Cover	
2	C000830	Vacuum Breaker Assembly	
3	J1408004	Connector	
4	C001789	Connector	
5	C000379	Supply Dispenser Hose	
6	C000211	Fan	
7	C000210	Fan Filter Guard Assembly	
8	C000317	Circuit Breaker	
9	C000972	Drain Assembly	
10	C000808	Water Inlet Hose	
11	C002636	Temperature Probe Assembly	
12	C000663	Lower Shell Support Bracket	
13	C001701	Shell Support Brace	
14	C001720	Frame Assembly	

N/A = Part no longer available

Main Assembly (Drawing 2 of 2)



PHM2809PA_C002873

Main Assembly (Drawing 2 of 2)

REF	PART NO.	DESCRIPTION	COMMENTS
	C002615P	Drain Harness	
	C002424	Motor Cable	Use with 801792 Fitting; 3 required of F140761 Splice Connector and F140762 Splice Insulator Cap
	F430144	Screw	4 required; Motor to motor plate
	C000556	Washer	8 required; Motor to motor plate
	803017	Nut	4 required; Motor to motor plate
	JA-51516	Screw	1 required; Motor plate to frame
	C000612	Screw	2 required; Motor plate to frame
	C000177	Washer	As required; Motor plate to frame
	C000583	Washer	3 required; Motor plate to frame
	C000610	Screw	2 required; Drain valve to drain valve mounting bracket
	F431024	Nut	2 required; Drain valve to drain valve mounting bracket
	C000585	Washer	2 required; Drain valve to drain valve mounting bracket
	C000571	Washer	4 required; Drain valve to drain valve mounting bracket
	90554	Hose Clamp	1 required; Air trap
	F200213	Hose Clamp	4 required; Overflow hose
	F200201	Hose Clamp	4 required for drain hose
	801792P	Fitting	
	C003321	Alignment Tool	
1	C000599	Vacuum Breaker Hose	
2	C000662	Air Trap Tube	Brass
3	C000654	Air Trap Tube Elbow	Rubber
4	C002217	Belt	
5	C002200	Motor	3 required of F140761 Splice Connector and F140762 Splice Insulator Cap
6	C002219	Motor Bracket	
7	C001791	Belt Tension Spring	
8	C002222P	Motor Pulley	
9	C002223	Motor Bushing	
10	C000347	Drain Valve	
11	C000814	Drain Tee Bracket	
12	C000807	Overflow Hose	
13	C001793	Cap	
14	C000411	Drain Hose	
15	C002221	Cylinder Pulley	
16	C000841	Bushing	
17	C002637P	Proximity Switch Assembly	

Parts Index

A

Adapter	
C000424	31, 33
C000680	13, 45
Air Trap Tube	
C000662	47
Air Trap Tube Elbow	
C000654	47
Alignment Tool	
C003321	47
Auxiliary Plumbing Assembly	
C002397	35

B

Battery	
209/00505/04	41
Bearing Housing Assembly	
C000673P	13
C001946	13
Bearing Housing Puller Kit	
1390P	13
1390-1	13
Bearing Lubrication Decal	
C000508	7, 11
Belt	
C002217	47
Belt Tension Spring	
C001791	47
Blind Rivet	
F8245101	27
J1111905	27
Bolt	
C000180	23
C000273	39
C000430	25, 27
C000559	23
C000561	23, 25, 27
C001784	23
C001785	23
Bushing	
C000841	47

C

Cabinet Stiffener	
C002018	15
Cap	
C001793	47
Chemical Supply Controller	
C000371P	41
Chemical Supply Harness	
C002779	43
C002780	43
C002781	43

Circuit Breaker	
C000317	45
F350217	43
Circuit Breaker Kit	
C0977P3	43
Clean Filter Daily Decal	
F200061000	11
Cold Water Plumbing Assembly, 5 Cup	
C002538	33
Cold Water Valve Decal	
F231368	7
Connector	
C001789	45
J1408004	13, 45
Control Module Harness	
C000865	41
Control Panel Decal	
C001069	41
C001276	41
C001389	41
Coupling	
C001143	35
Cover Decal	
F200318200	7, 9
Cylinder Assembly Kit	
C001697P	17
Cylinder Bolt Shroud	
C001238	17
Cylinder Pulley	
C002221	47

D

Diaphragm and Guide Kit	
G582P3	33
Dispenser Door Handle	
C001788	19, 21
Door	
C000710	23
Door Assembly	
C000748P	23
Door Bumper	
C001546	23
Door Glass	
C000749	23
Door Glass Gasket	
C000750	23
Door Glass Retainer	
C000751MD	23
Door Handle	
C001679P	23
Door Handle Bushing	
C000181	23
Door Handle Hinge Weldment	
C000470	23
Door Handle Spring Bushing	
C000192	23
Door Handle Torsion Spring	
C001786	23

N/A items do not appear in index.

Door Hinge C000752	23
Door Hinge Bushing C000176	23
Door Latch C001244	25, 27
Door Lock Catch C000185	25, 27
Door Lock Cover C000688	25, 27
Door Lock Harness C000867P	25, 27
Door Lock Kit C002996M	25, 27
Door Lock Microswitch C000278	25, 27
Door Lock Plate C000684	25, 27
Door Lock Slide Spring C000276	25, 27
Door Lock Solenoid C000184P	25, 27
Door Lock Solenoid Bracket C003022	25, 27
Door Lock Spring B12351001	27
Door Lock Spring Cover C000687	25, 27
Door Lock Switch Slide C000271	25, 27
Door Magnet Mounting Bracket C002994	23, 27
Door Release Decal C000694	9, 11
Door Seal 253/00162/02	23
Drain Assembly C000972	45
Drain Harness C002615P	47
Drain Hose C000411	47
C001769	13
Drain Tee Bracket C000814	47
Drain Valve C000347	47
Drain Weldment C001642	13
Drive and Power Enclosure Cover C002527	15
Drive Box Assembly C002524	43
Drive Box Harness C002570	43

E

Electric Shock Danger Label F8115501	11
Electrical Shock Label 502511	9

Emergency Stop Button Kit F200233700P	15
Exhaust Bracket C002526	43
External Supply Connection Decal F230917-1	7
F8150201	11

F

Fan C000211	45
Fan Filter Guard Assembly C000210	45
Fitting 801792P	47
Frame Assembly C001720	45
Front Electrical Enclosure C000213	41
Front Electrical Enclosure Assembly C000432	41
Front Electrical Enclosure Cover C000348	41
Front Panel Assembly C002974	15
Front Top Panel Assembly C002986	15

G

Grease Connector Box C000539	15
Ground Terminal Lug C001803	43

H

Hardware Kit C002023	13
Hinge C001787	19, 21
Hinge Block C000175	23
Hose C000552	13, 19, 21, 45
C001011	29, 31, 33
Hose Barb C000899	29, 31, 33, 35
Hose Clamp F200201	19, 21, 47
F200213	47
F200222	45
36801	13, 21
90554	13, 47
Hot Plumbing Assembly C002539	29
Hot Surface Warning Decal F200085000	7, 9, 11
F231380	9

N/A items do not appear in index.

Hot Surface Warning Plate F8211901	11
Hot Water and Chemical Caution Decal F200085300	7, 11
Hot Water Valve Decal F231367	7

I

Infrared Cable 210/00902/00	41
Inlet Valve Harness C002609P	31
C002612P	33
Insert Rail C001015	15
Inverter C002507	43

K

Keymode Switch Assembly C003024P	15
Keypad Controller C000282P	41

L

Left Rear Side Panel Assembly C002964	15
Logo Decal C001038	9
Lower Front Panel C000819	15
C003081	15
Lower Shell Support Bracket C000663	45
Lubricator 9002071P	13

M

Magnet F8390801	23
Main Board Controller Kit C000281P	41
Motor C002200	47
Motor Bracket C002219	47
Motor Bushing C002223	47
Motor Cable C002424	47
Motor Pulley C002222P	47
Mount on Concrete Warning Label F8246401	11

Mounting Bracket C000373	43
C000375	41
Mounting Flange Weldment C002164	29, 31, 33, 35

N

Nipple C000894	31, 33
F420105	33
F421323	37
Nut C000560	23, 39
C000568	15, 43, 45
C000574	23, 25, 27
C000576	25, 27
C000578	25, 27
C000611	39
C001236	23
F431024	15, 23, 29, 31, 33, 41, 47
F431026	23
803017	23, 47

O

Overflow Hose C000807	47
--------------------------------	----

P

Pinched Fingers Label 502506	9
Pop Rivet F431215	27
F431223	23
Power Block Terminal C000290	43
C000370	43
Programming Key 1242	15
Proximity Mounting Bracket C000969	13
Proximity Switch Assembly C002637P	47
Push Decal F230303	9, 11

R

Rear Panel C000818	15
Rear Top Panel C001693	15
Reducing Connector C001649	13
Reducing Coupling C000978	37
Reducing Tee C002165	31, 33

N/A items do not appear in index.

Reed Switch Assembly C003000	27
Ribbon Cable C000705P	41
Right Rear Side Panel Assembly C002965	15
Rub Rail C001014	15

S

Screw	
C000567	15, 25, 27, 29, 31, 33, 41, 43, 45
C000572	25, 27
C000575	43
C000610	47
C000612	25, 27, 47
C000613	27
C000614	25, 27
C001020	13
C001032	23, 39
C001148	19, 21
C001294	17
C001907	39
F430144	47
F430909	41, 43
F430910	15, 41
F430920	19, 21
F430925	19, 21
F430929	13, 15
F430938	43, 45
JA-51516	47
81398	25, 27
Shell Assembly C001700	39
Shell Band Gasket F200001600P	23
Shell Band Weldment C001887	39
C002730	39
Shell Front Assembly C002943	39
C002978	39
Shell Front Gasket C001876P	39
Shell Gasket Shield F601216	39
Shell Support Brace C001701	45
Side Dispenser Assembly C001583	21
Side Dispenser Door C000642	21
Side Panel and Stiffener Assembly C002717	15
C002718	15
Single Cup Cold Plumbing Assembly C002537	31
Single Fan Harness C002617P	45
Single Side Dispenser Assembly C001582	19
Single Side Dispenser Door C000855	19

Spin Warning Decal F200085100	7, 11
Spring C000431	25, 27
Spring Hose Clamp C001004	21
Standoff C000376	41
Steam Cord Assembly C002748P	37
Steam Hose C000982	37
Steam Hose Adapter C001587	37
Steam Hose Insulation C001003	37
Steam Injector Tube Assembly F603132	37
Steam Inlet Weldment C002898	37
Steam Option Assembly C001000	37
Steam Valve F8322904	37
Steam Valve Mounting Bracket C000981	37
Street Elbow F420502	31, 33
F421707	37
Stud C000601	23
Supply Cup C000646	19, 21
C000647	21
Supply Dispenser Hose C000379	45
Supply Dispenser Nozzle C000073	19, 21
Supply Signal Decal C000506	7

T

Tee F420403	33
Temperature Probe Assembly C002636	45
Temperature Probe Grommet C000510	45
Terminal Bracket C001132	43
Tie Wrap Mounting Clamp F140602	43
Tilt Switch Assembly C002642P	41
Top Panel Access Cover C002017	15
Transformer C000203	43
Trim Gasket C000629	15

N/A items do not appear in index.

Triple Lip Seal	
C003007	13
C003008	13
Tubing	
C000628P	13

V

Vacuum Breaker Assembly	
C000830	45
Vacuum Breaker Cover	
C001772	45
Vacuum Breaker Hose	
C000599	47
Vacuum Breaker Plug	
C000679	45
Valve	
C000716P	31
Valve Panel Assembly	
C002983	15

W

Warning Label	
F8233501	11
44127701	11
500049	9
Washer	
C000177	23, 47
C000556	47
C000571	13, 15, 25, 27, 41, 43, 47
C000583	39, 47
C000585	15, 47
C001021	13
C001239	17
F431133	41
J1001270	39
Water Inlet Hose	
C000808	45
Water Level Transducer	
C002104P	41
Water Line Caution Decal	
F230734	7
Water Valve	
C000339P	29, 31, 33
C000436P	33
Water Valve Rebuild Kit	
C001676P	29
